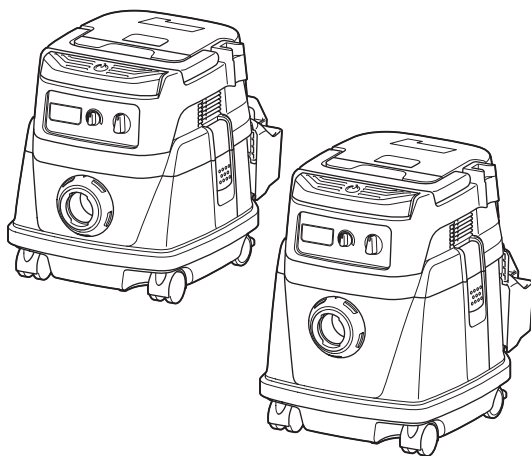


INSTRUCTION MANUAL
MANUEL D'INSTRUCTION
MANUAL DE INSTRUCCIONES



Cordless Vacuum Cleaner Aspirateur Sans Fil Aspiradora Inalámbrica

DVC865L
DVC155L



IMPORTANT: Read Before Using.

IMPORTANT : Lire avant usage.

IMPORTANTE: Lea antes de usar.

SPECIFICATIONS

Model:		DVC865L	DVC155L
Standard filter type		Cloth filter (for dry and wet dust)	
Maximum air volume (with BL1850B, Φ 32 mm (1-1/4") x 1.7 m (67") hose)		2.1 m ³ /min (74.15 cu.ft./min)	
Vacuum (with BL1850B, Φ 32 mm (1-1/4") x 1.7 m (67") hose)		11 kPa	
Recoverable capacity	Dust	8 L (2.1 gal.)	15 L (4.0 gal.)
	Water	6 L (1.6 gal.)	12 L (3.2 gal.)
Dimensions (L x W x H)		366 mm x 334 mm x 368 mm (14-3/8" x 13-1/8" x 14-1/2")	366 mm x 334 mm x 421 mm (14-3/8" x 13-1/8" x 16-1/2")
Rated voltage		D.C. 36 V	
Net weight		7.0 - 7.7 kg (15.4 - 17.0 lbs)	7.2 - 7.9 kg (15.9 - 17.4 lbs)

- Due to our continuing program of research and development, the specifications herein are subject to change without notice.
- Specifications and battery cartridge may differ from country to country.
- The weight does not include accessories but battery cartridge(s). The lightest and heaviest combination weight of the appliance and battery cartridge(s) are shown in the table.
- For wet dust, the float and the water filter or cloth filter are required.

Applicable battery cartridge and charger

Battery cartridge	BL1815N / BL1820B / BL1830 / BL1830B / BL1840B / BL1850B / BL1860B
Charger	DC18RC / DC18RD / DC18RE / DC18SD / DC18SE / DC18SF / DC18SH

- Some of the battery cartridges and chargers listed above may not be available depending on your region of residence.

⚠WARNING: Only use the battery cartridges and chargers listed above. Use of any other battery cartridges and chargers may cause injury and/or fire.

SAFETY WARNINGS

IMPORTANT SAFETY INSTRUCTIONS

When using an electrical appliance, basic precautions should always be followed, including the following:

**READ ALL
INSTRUCTIONS
BEFORE USING
THIS APPLIANCE.**

WARNING

To reduce the risk of fire, electric shock or injury:

1. **Do not leave appliance when battery fitted. Remove battery from appliance when not in use and before servicing.**
2. **Do not expose to rain. Store indoors.**
3. **Do not allow to be used as a toy. Close attention is necessary when used by or near children.**
4. **Use only as described in this manual. Use only manufacturer's recommended attachments.**
5. **Do not use with damaged battery. If appliance is not working as it should, has been dropped, damaged, left outdoors, or dropped into water, return it to a service center.**

6. Do not handle battery or appliance with wet hands.
 7. Do not put any object into openings. Do not use with any opening blocked; keep free of dust, lint, hair, and anything that may reduce air flow.
 8. Keep hair, loose clothing, fingers, and all parts of body away from openings and moving parts.
 9. Turn off all controls before removing the battery cartridge.
 10. Use extra care when cleaning on stairs.
 11. Do not use to pick up flammable or combustible liquids, such as gasoline, or use in areas where they may be present.
 12. Use only the charger supplied by the manufacturer to recharge.
 13. Do not pick up anything that is burning or smoking, such as cigarettes, matches, or hot ashes.
 14. Do not use without filters in place. Replace a damaged filter immediately.
 15. Do not charge the battery outdoors.
 16. Always install float before any wet pick-up operation.
 17. Do not use the cleaner as a stool or work bench. The machine may fall down and may result in personal injury.
 18. Do not vacuum the following:
 - Flammable liquid (kerosene, gasoline, solvents such as benzine, thinner, etc.)
 - Hot substances that are burning or smoking (cigarettes, matches, incense sticks, candles, hot ashes), sparks and metal dust generated by cutting or grinding metal, etc.
 - Flammable material (toner, paint, spray, etc.)
 - Foam like carpet cleaning agent, etc. (they may cause explosion or fire)
 - Explosive or pyrophoric substances (nitroglycerin, aluminum, magnesium, titanium, zinc, red phosphorus, yellow phosphorus, celluloid, etc. and their dust, gas or steam)
- Sharp objects (glass, cutlery, wood splinter, metal, stone, nail, razor, push pin, etc.)
 - Solidifying and conductive fine powder (metal or carbon powder)
 - Dehumidifier
 - Large amount of powder (flour, fire extinguisher powder, etc.)
 - Substances that cause toxic symptoms
 - Aggressive chemicals (acid, leach, etc.)
 - Liquid or damp garbage, including vomit and excreta
 - Asbestos
 - Pesticides
- Such action may cause fire, injury and/or property damage.
- To reduce your exposure to these chemicals, always wear approved respiratory protection such as dust masks that are specially designed to filter out microscopic particles. Direct the exhaust air away from your face and body.
- NOTE:** Read the OSHA regulation on silica dust to understand the requirements needed to reduce exposure to silica dust at the job-site. Specific rules apply to the drilling, demolition cutting and grinding materials that contain silica. All OSHA requirements regarding reducing silica dust can be found at the OSHA website: www.osha.gov.

Battery tool use and care

1. **Prevent unintentional starting.** Ensure the switch is in the off-position before connecting to battery pack, picking up or carrying the appliance. Carrying the appliance with your finger on the switch or energizing appliance that have the switch on invites accidents.
2. **Disconnect the battery pack from the appliance before making any adjustments, changing accessories, or storing appliance.** Such preventive safety measures reduce the risk of starting the appliance accidentally.



3. **Recharge only with the charger specified by the manufacturer.** A charger that is suitable for one type of battery pack may create a risk of fire when used with another battery pack.
4. **Use appliances only with specifically designed battery packs.** Use of any other battery packs may create a risk of injury and fire.
5. **When battery pack is not in use, keep it away from other metal objects, like paper clips, coins, keys, nails, screws or other small metal objects, that can make a connection from one terminal to another.** Shorting the battery terminals together may cause burns or a fire.
6. **Under abusive conditions, liquid may be ejected from the battery; avoid contact. If contact accidentally occurs, flush with water. If liquid contacts eyes, additionally seek medical help.** Liquid ejected from the battery may cause irritation or burns.
7. **Do not use a battery pack or appliance that is damaged or modified. Damaged or modified batteries may exhibit unpredictable behavior resulting in fire, explosion or risk of injury.**
8. **Do not expose a battery pack or appliance to fire or excessive temperature. Exposure to fire or temperature above 130 °C may cause explosion.**
9. **Follow all charging instructions and do not charge the battery pack or appliance outside of the temperature range specified in the instructions.** Charging improperly or at temperatures outside of the specified range may damage the battery and increase the risk of fire.
10. **Have servicing performed by a qualified repair person using only identical replacement parts.** This will ensure that the safety of the product is maintained.
11. **Do not modify or attempt to repair the appliance or the battery pack except as indicated in the instructions for use and care.**

SAVE THESE INSTRUCTIONS.

This appliance is intended for commercial use.

Symbols

The followings show the symbols used for tool.

v	volts
≡	direct current
	Take particular care and attention.
	Never stand on the cleaner.

Important safety instructions for battery cartridge

1. **Before using battery cartridge, read all instructions and cautionary markings on (1) battery charger, (2) battery, and (3) product using battery.**
2. **Do not disassemble battery cartridge.**
3. **If operating time has become excessively shorter, stop operating immediately. It may result in a risk of overheating, possible burns and even an explosion.**
4. **If electrolyte gets into your eyes, rinse them out with clear water and seek medical attention right away. It may result in loss of your eyesight.**
5. **Do not short the battery cartridge:**
 - (1) **Do not touch the terminals with any conductive material.**
 - (2) **Avoid storing battery cartridge in a container with other metal objects such as nails, coins, etc.**
 - (3) **Do not expose battery cartridge to water or rain.**

A battery short can cause a large current flow, overheating, possible burns and even a breakdown.

6. Do not store the tool and battery cartridge in locations where the temperature may reach or exceed 50 °C (122 °F).
7. Do not incinerate the battery cartridge even if it is severely damaged or is completely worn out. The battery cartridge can explode in a fire.
8. Be careful not to drop or strike battery.
9. Do not use a damaged battery.
10. The contained lithium-ion batteries are subject to the Dangerous Goods Legislation requirements.

For commercial transports e.g. by third parties, forwarding agents, special requirement on packaging and labeling must be observed. For preparation of the item being shipped, consulting an expert for hazardous material is required. Please also observe possibly more detailed national regulations. Tape or mask off open contacts and pack up the battery in such a manner that it cannot move around in the packaging.

11. Follow your local regulations relating to disposal of battery.
12. When disposing the battery cartridge, remove it from the tool and dispose of it in a safe place.
13. Use the batteries only with the products specified by Makita. Installing the batteries to non-compliant products may result in a fire, excessive heat, explosion, or leak of electrolyte.
14. If the tool is not used for a long period of time, the battery must be removed from the tool.

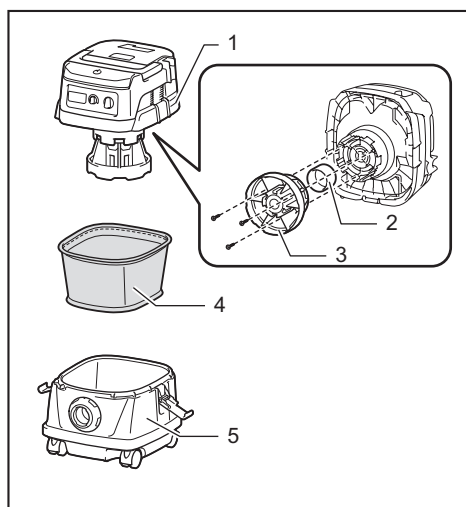
SAVE THESE INSTRUCTIONS.

⚠ CAUTION: Only use genuine Makita batteries. Use of non-genuine Makita batteries, or batteries that have been altered, may result in the battery bursting causing fires, personal injury and damage. It will also void the Makita warranty for the Makita tool and charger.

Tips for maintaining maximum battery life

1. Charge the battery cartridge before completely discharged. Always stop tool operation and charge the battery cartridge when you notice less tool power.
2. Never recharge a fully charged battery cartridge. Overcharging shortens the battery service life.
3. Charge the battery cartridge with room temperature at 10 °C - 40 °C (50 °F - 104 °F). Let a hot battery cartridge cool down before charging it.
4. Charge the battery cartridge if you do not use it for a long period (more than six months).

PARTS DESCRIPTION



- 1. Tank cover 2. Float 3. Float cage 4. Cloth filter
5. Tank

FUNCTIONAL DESCRIPTION

CAUTION: Always be sure that the tool is switched off and the battery cartridge is removed before adjusting or checking function on the tool.

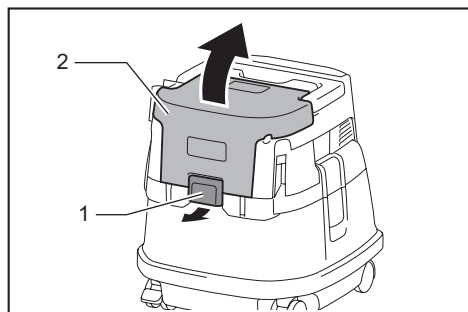
Installing or removing battery cartridge

CAUTION: Always switch off the tool before installing or removing of the battery cartridge.

CAUTION: Hold the cleaner and the battery cartridge firmly when installing or removing battery cartridge. Failure to hold the cleaner and the battery cartridge firmly may cause them to slip off your hands and result in damage to the cleaner and battery cartridge and a personal injury.

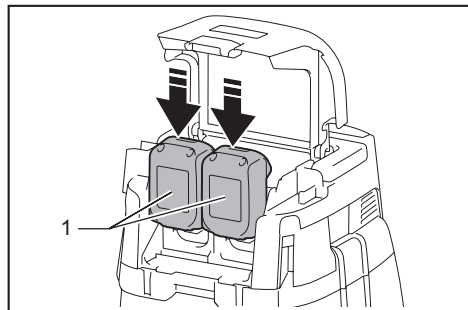
CAUTION: Be careful not to pinch your fingers when opening or closing the battery cover. Failure to do so may cause personal injury.

To install the battery cartridge, release the lock first, and then open the battery cover. After that, insert the battery cartridge.



► 1. Lock 2. Battery cover

Align the tongue on the battery cartridge with the groove in the housing and slip it into place. Insert it all the way until it locks in place with a little click. Then lock the battery cover.



► 1. Battery cartridge

To remove the battery cartridge, slide it from the tool while sliding the button in front of the cartridge.

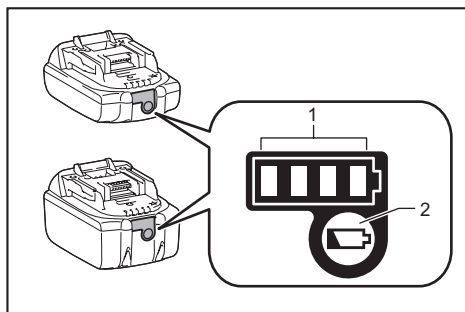
CAUTION: Always install the battery cartridge fully until the red indicator cannot be seen. If not, it may accidentally fall out of the cleaner, causing injury to you or someone around you.

CAUTION: Do not install the battery cartridge forcibly. If the cartridge does not slide in easily, it is not being inserted correctly.

NOTE: The cleaner does not work with only one battery cartridge.

Indicating the remaining battery capacity

Only for battery cartridges with the indicator



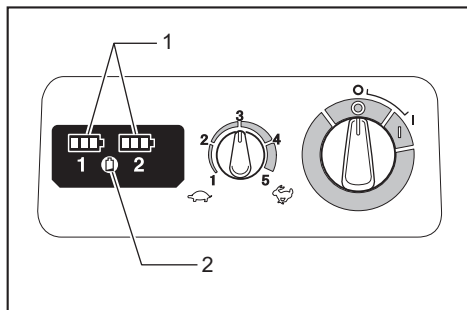
► 1. Indicator lamps 2. Check button

Press the check button on the battery cartridge to indicate the remaining battery capacity. The indicator lamps light up for a few seconds.

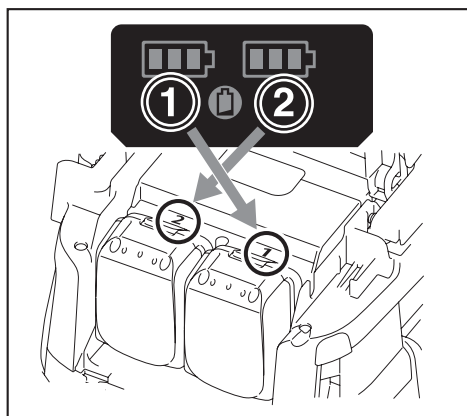
Indicator lamps			Remaining capacity
Lighted	Off	Blinking	
■ ■ ■ ■			75% to 100%
■ ■ ■ □			50% to 75%
■ ■ □ □			25% to 50%
■ □ □ □			0% to 25%
▣ □ □ □			Charge the battery.
■ ■ □ □			The battery may have malfunctioned.
□ □ ■ ■			

NOTE: Depending on the conditions of use and the ambient temperature, the indication may differ slightly from the actual capacity.

Indicating the remaining battery capacity



► 1. Battery indicator 2. Check button



Press the check button to indicate the remaining battery capacities. The battery indicators correspond to each battery.

Battery indicator status			Remaining battery capacity
On	Off	Blinking	
			50% to 100%
			20% to 50%
			0% to 20%
			Charge the battery

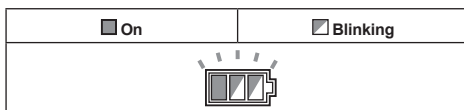
Tool / battery protection system

The tool is equipped with a tool/battery protection system. This system automatically cuts off power to the motor to extend tool and battery life. The tool will automatically stop during operation if the tool or battery is placed under one of the following conditions:

Overload protection

When the tool is operated in a manner that causes it to draw an abnormally high current, the tool automatically stops without any indication. In this situation, turn the tool off and stop the application that caused the tool to become overloaded. Then turn the tool on to restart.

Overheat protection

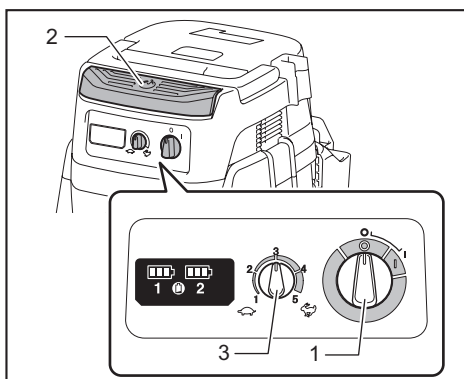


When the tool is overheated, the tool stops automatically, and the battery indicator blinks about 60 seconds. In this situation, let the tool cool down before turning the tool on again.

Overdischarge protection

When the battery capacity becomes low, the tool stops automatically. If the product does not operate even when the switches are operated, remove the batteries from the tool and charge the batteries.

Switch action



► 1. Stand-by switch 2. Power button 3. Suction force adjusting knob

To start the cleaner:

1. Set the stand-by switch to the "I" side. The cleaner gets into stand-by state.
2. Press the power button.

To make the cleaner get into stand-by mode, press the power button again.

To turn off the cleaner, set the stand-by switch to the "O" side.

The suction power can be adjusted according to your work need.

Suction power can be increased by turning the suction force adjusting knob from the symbol to the symbol.

NOTICE: Always set the stand-by switch to the "O" side when not using the cleaner for long time. The cleaner consumes power during stand-by state.

Auto-suction stop during wet suction operation

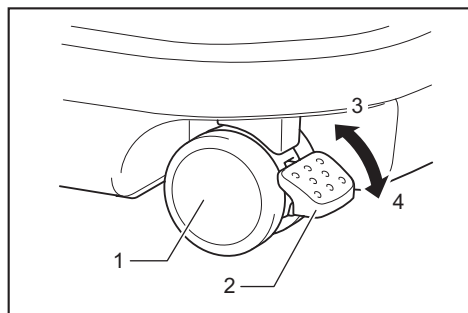
⚠ WARNING: Do not use for a long time while the float is at work. Using the cleaner with its float at work for a long time can cause overheat, resulting in the cleaner deformation.

⚠ WARNING: Do not pick up foam or soapy liquid. Picking up foam or soapy liquid can cause foam to come out of air exit before the float works. Continuing to using in this condition may cause an electric shock and breakage of the cleaner.

Auto-suction stop works only when using with the float and float cage.

The cleaner has a float mechanism that prevents water from immersing into the motor when picking up more than a certain amount of water. When the tank is full and the cleaner no longer picks up water, switch off the cleaner and empty the tank.

Locking or unlocking the caster



- 1. Caster 2. Stopper lever 3. FREE position
4. LOCK position

Locking the caster is convenient when storing the cleaner, stopping the work on the way and keeping the cleaner still.

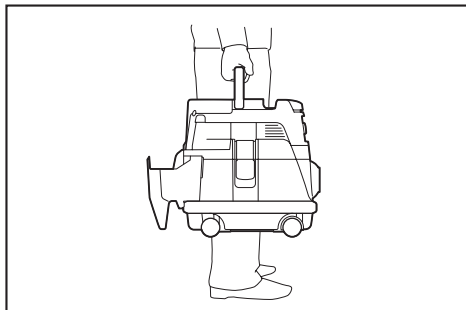
To operate the stopper, move it by hand.

To lock the caster with a stopper, lower the stopper lever and the caster no longer will rotate. To release the caster from the locked position, raise the stopper lever.

NOTE: When moving the cleaner, make sure that the caster is unlocked. Moving the cleaner with the caster in the locked position may cause damage to the caster.

Carriage handle

When carrying the cleaner, carry it by holding the handle on the head. The handle is retractable at the head when not in use.



ASSEMBLY

⚠ CAUTION: Always be sure that the tool is switched off and the battery cartridge is removed before carrying out any work on the tool.

⚠ CAUTION: Always wear dust mask during assembly or maintenance.

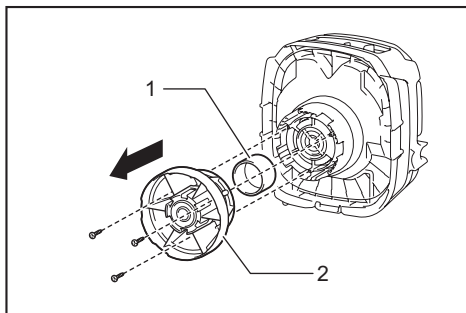
Installing the powder filter (HEPA) and prefilter (for dry dust)

Optional accessory

⚠ CAUTION: Never pick up water or other liquids or wet dusts when using the powder filter. Picking up such things may cause the powder filter breakage.

To use powder filter:

1. Remove the float cage and float by removing the bolts.

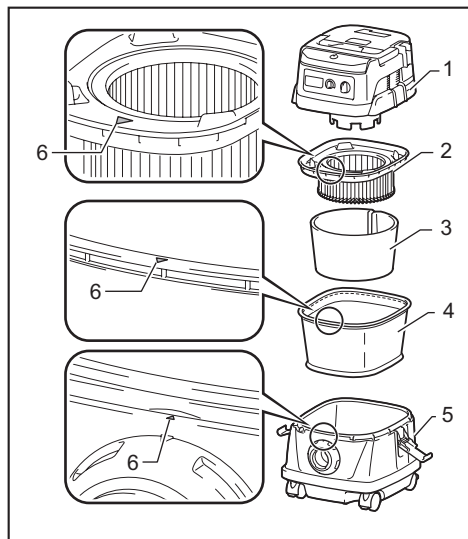


- 1. Float 2. Float cage

2. Place the prefilter in the tank while aligning the mounting position markings.

3. Mount the damper on the powder filter and then place them in the prefilter while aligning the mounting position markings.

4. Mount the tank cover and lock it.



- 1. Tank cover 2. Powder filter (HEPA) 3. Damper
4. Prefilter 5. Tank 6. Mounting position marking

NOTICE: Before using the powder filter, make sure that prefilter and damper are used together. It is not allowed to install powder filter alone.

Installing the water filter

Optional accessory

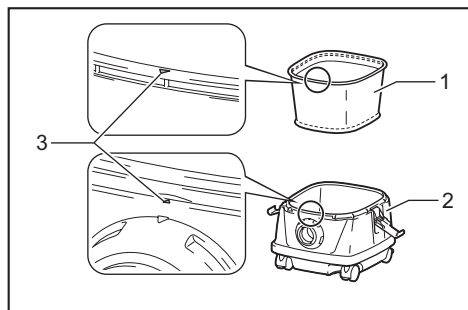
NOTICE: Never pick up water or wet dust without the float and the cloth filter or the water filter.

NOTICE: For picking up wet dust, make sure that the float cage and the float are installed on the cleaner.

NOTICE: When installing the water filter on the tank, set it tight at the opening of the tank so that the hook of the water filter engages the tank opening firmly and there is no space between the water filter and the tank.

To pick up water or wet dust only, the water filter is more suitable than the cloth filter.

When installing the water filter, align its mounting position marking with the one on the tank.



- 1. Water filter 2. Tank 3. Mounting position marking

NOTE: It is recommended using water filter when picking up large amount of water repeatedly. Otherwise vacuum ability may be reduced in case of cloth filter.

Installing the paper pack

Optional accessory

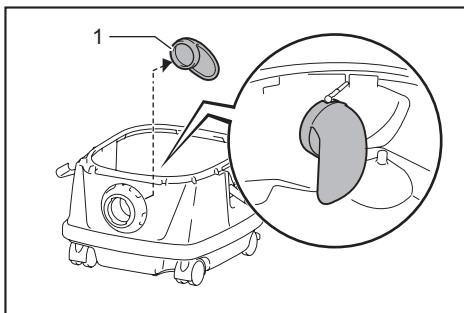
⚠WARNING: Before using the paper pack, make sure that the cloth filter or prefilter is used together. Failure to use the cloth filter / prefilter together may cause unusual noise and heat, resulting in a fire.

NOTICE: Never pick up water or other liquids or wet dusts when using the paper pack. Picking up such things may cause the paper pack breakage.

NOTICE: When using the cloth filter, make sure that the float and the float cage are attached on the tank cover.

NOTICE: When using the prefilter, make sure that the powder filter and the damper are used together.

1. Remove the rubber holder.

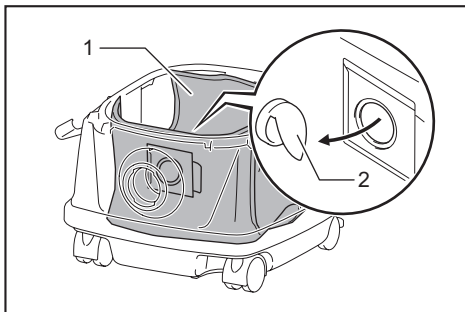


- 1. Rubber holder

2. Extend the paper pack.

3. Align the paper pack opening with the dust suction opening of the cleaner.

4. Insert the cardboard part of the paper pack into the holder so that it is positioned at the end beyond the detent protrusion.

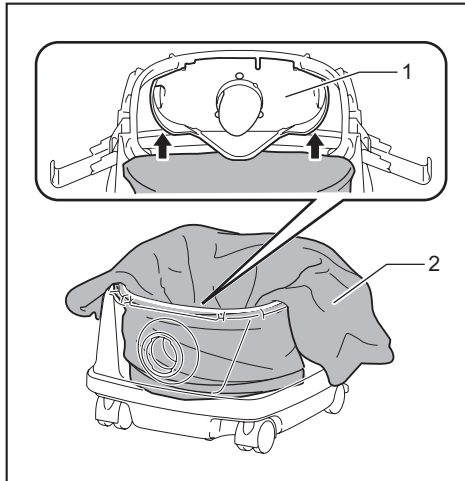


- 1. Paper pack 2. Holder

Installing the polyethylene bag

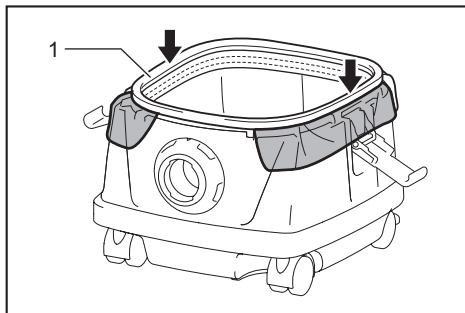
Cleaner can also be used without polyethylene bag. However, using polyethylene bag is easier to empty the tank without letting your hands dirty.

Spread the polyethylene bag in the tank. Insert it between the holder plate and the tank, and pull it to the hose inlet.



► 1. Holder plate 2. Polyethylene bag

Spread the bag around the top of the tank so that the cloth filter / prefilter edge can catch and hold the bag securely.



► 1. Cloth filter / prefilter

NOTE: A polyethylene bag available on the market can be used. 0.04 mm or thicker one is recommended.

NOTE: Too much dust will tear the bag easily, so do not collect the dust more than the half of the bag capacity.

Emptying the polyethylene bag

⚠WARNING: Always make sure that the cleaner is switched off and the battery cartridge is removed before emptying the polyethylene bag. Failure to do so may cause an electric shock and serious personal injury.

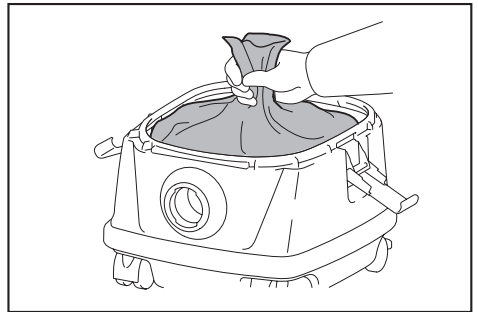
⚠CAUTION: Do not apply a great impact on the float cage and tank. Applying a great impact may cause deformation and damage to the parts.

⚠CAUTION: Empty the tank at least once a day although this depends on picked-up dust volume in the tank. Or, the suction force will weaken and the motor may be broken.

⚠CAUTION: Do not grab the hook when emptying the tank. Grabbing the hook may cause the hook to break.

Unhook and lift up the tank cover.

Shake off the dust from the cloth filter / prefilter and then take the polyethylene bag out of the tank.

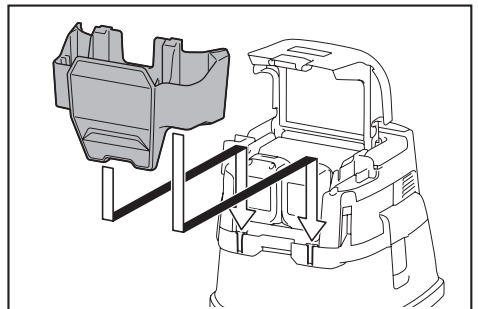


NOTE: Take the polyethylene bag carefully out of the tank so that the polyethylene bag cannot be caught and torn by the protrusion inside the tank when emptying it.

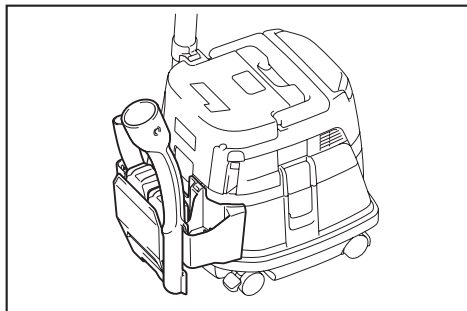
NOTE: Empty the polyethylene bag before it becomes full. Too much dust in the tank may cause the polyethylene bag to be torn.

Installing the tool box

1. Release the lock of the battery cover, and open the battery cover.
2. Set the rails on the tool box along the grooves on the housing.
3. Close the battery cover and apply the lock.



The tool box is convenient for carrying batteries, pipe, or cuffs.



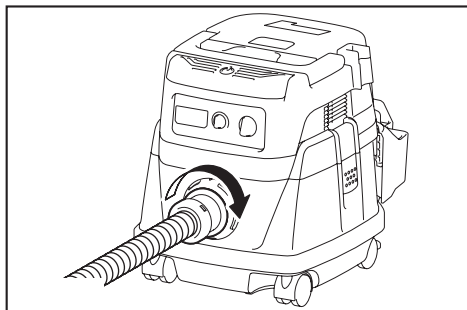
Connecting the hose

NOTICE: Never force the hose for bending or stamp it. Never move the cleaner by a hose.

Forcing, stamping and pulling the hose may cause a breakage or deformation of the hose.

NOTICE: When picking up large wastes such as planer carvings, concrete dusts or similar other than small wastes, use the 38 mm inner diameter hose (optional accessory). Using the 28 mm inner diameter hose (optional accessory) may cause a hose stuffing and damage.

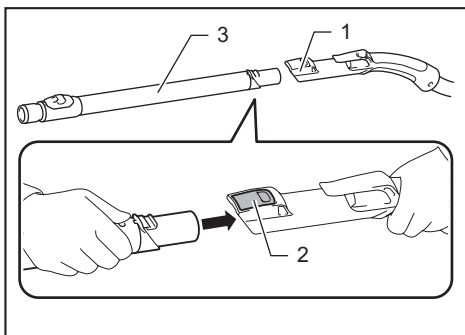
Insert the hose onto the mounting port of the tank and turn it clockwise until it locks.



Connecting the attachment with lock function

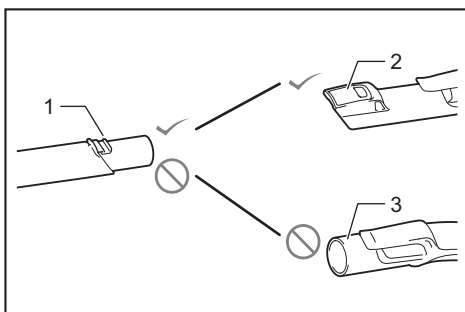
Optional accessory

Insert the attachment into the suction inlet until it clicks. To remove, pull the attachment while pushing the release button.



- ▶ 1. Suction inlet with lock function 2. Release button 3. Attachment with lock function

NOTE: The attachment with lock function is available when using the suction inlet with lock function.

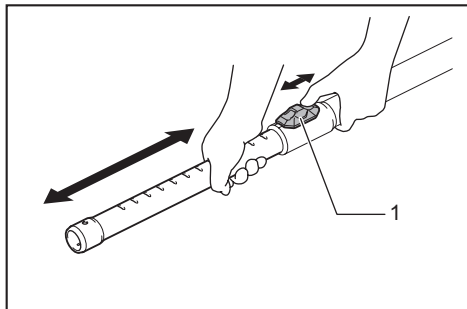


- ▶ 1. Attachment with lock function 2. Suction inlet with lock function 3. Suction inlet without lock function

Adjusting the length of the slide-type extension wand

Optional accessory

With pressing the slide button, adjust the wand length. The length is locked when releasing the slide button.



► 1. Slide button

MAINTENANCE

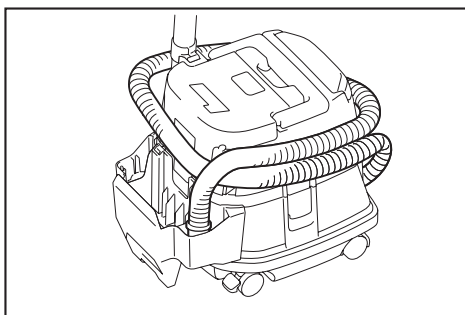
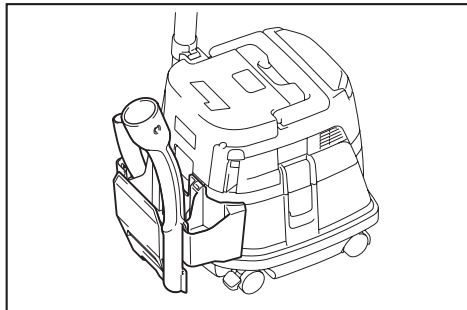
CAUTION: Always be sure that the tool is switched off and the battery cartridge is removed before attempting to perform inspection or maintenance.

NOTICE: Never use gasoline, benzine, thinner, alcohol or the like. Discoloration, deformation or cracks may result.

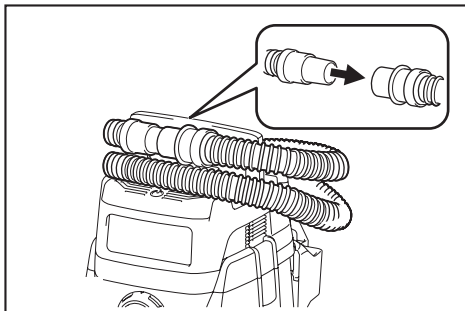
To maintain product SAFETY and RELIABILITY, repairs, any other maintenance or adjustment should be performed by Makita Authorized or Factory Service Centers, always using Makita replacement parts.

Storage of accessories

The pipes can be placed into the pipe holder when not using the cleaner for a short time.



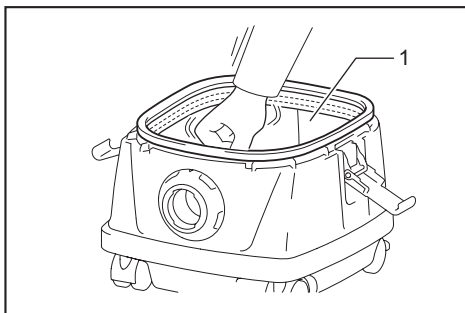
The hose can be stored around the tool by connecting each ends.



Cleaning of cloth filter

Clogged cloth filter causes poor suction performance. Clean out the cloth filter from time to time.

To remove dust or particles adhering to the cloth filter, shake the frame bottom quickly several times.



► 1. Cloth filter

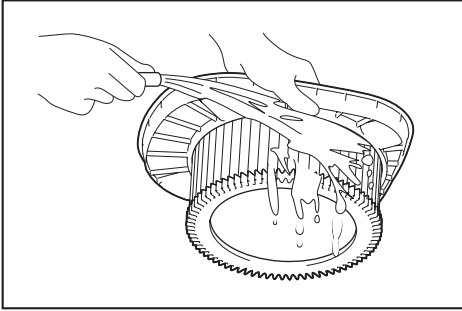
Cleaning of powder filter (HEPA) and prefilter

Optional accessory

Clogged powder filter, prefilter and damper cause poor suction performance. Clean out the filters and damper from time to time.

To remove dust or particles adhering to the filters, shake the frame bottom quickly several times.

Occasionally wash the powder filter in water, rinse and dry thoroughly in the shade before use. Never wash filters in a washing machine.



NOTE: Do not rub or scratch the powder filter, the prefilter and the damper with hard objects such as a brush and a paddle.

NOTE: The filters wear out in course of time. It is recommended to have some spares for them.

OPTIONAL ACCESSORIES

⚠ CAUTION: These accessories or attachments are recommended for use with your Makita tool specified in this manual. The use of any other accessories or attachments might present a risk of injury to persons. Only use accessory or attachment for its stated purpose.

If you need any assistance for more details regarding these accessories, ask your local Makita Service Center.

- Hose
- Front cuff (22, 24, 38)
- Straight pipe
- Extension wand
- Corner nozzle
- Round brush
- Powder filter, HEPA (for dry dust)
- Damper
- Prefilter
- Nozzle assembly
- Bent pipe
- Polyethylene bag
- Paper pack
- Holder set
- Water Filter
- Makita genuine battery and charger

NOTE: Some items in the list may be included in the tool package as standard accessories. They may differ from country to country.

MAKITA LIMITED WARRANTY

Please refer to the annexed warranty sheet for the most current warranty terms applicable to this product. If annexed warranty sheet is not available, refer to the warranty details set forth at below website for your respective country.

United States of America: www.makitatools.com

Canada: www.makita.ca

Other countries: www.makita.com

SPÉCIFICATIONS

Modèle :	DVC865L	DVC155L
À filtre standard	Filtre en tissu (pour poussières sèches et mouillées)	
Volume d'air maximum (avec BL1850B, tuyau de $\Phi 32$ mm (1-1/4") x 1,7 m (67"))	2,1 m ³ /min (74,15 cu.ft/min)	
Aspiration (avec BL1850B, tuyau de $\Phi 32$ mm (1-1/4") x 1,7 m (67"))	11 kPa	
Capacité de récupération	Poussières	8 L (2,1 gal.)
	Eau	15 L (4,0 gal.)
Dimensions (L x P x H)	366 mm x 334 mm x 368 mm (14-3/8" x 13-1/8" x 14-1/2")	366 mm x 334 mm x 421 mm (14-3/8" x 13-1/8" x 16-1/2")
	C.C. 36 V	
Poids net	7,0 - 7,7 kg (15,4 - 17,0 lbs)	7,2 - 7,9 kg (15,9 - 17,4 lbs)

- Étant donné l'évolution constante de notre programme de recherche et développement, les spécifications contenues dans ce manuel sont sujettes à modification sans préavis.
- Les spécifications et la batterie peuvent varier suivant les pays.
- Le poids ne comprend pas les accessoires autres que la/les batterie(s). Les combinaisons la plus légère et la plus lourde d'appareil et de batterie(s) sont indiquées dans le tableau.
- Pour les poussières mouillées, le flotteur et le filtre à eau ou le filtre en tissu sont requis.

Batteries et chargeurs applicables

Batterie	BL1815N / BL1820B / BL1830 / BL1830B / BL1840B / BL1850B / BL1860B
Chargeur	DC18RC / DC18RD / DC18RE / DC18SD / DC18SE / DC18SF / DC18SH

- Suivant la région où vous habitez, il se peut que certaines des batteries et certains des chargeurs énumérés ci-dessus ne soient pas disponibles.

⚠ MISE EN GARDE : Utilisez exclusivement les batteries et chargeurs énumérés ci-dessus. L'utilisation de toute autre batterie ou tout autre chargeur peut entraîner une blessure et/ou un incendie.

CONSIGNES DE SÉCURITÉ

IMPORTANTES CONSIGNES DE SÉCURITÉ

Lors de l'utilisation d'un appareil électrique, vous devez toujours prendre des précautions de base, dont les suivantes :

CONSERVEZ CES INSTRUCTIONS.

MISE EN GARDE

Pour réduire les risques d'incendie, de décharge électrique et de blessure :

1. **Ne quittez pas l'appareil alors que la batterie y est insérée. Retirez la batterie de l'appareil lorsqu'il n'est pas utilisé et avant de le faire réparer.**
2. **Ne l'exposez pas à la pluie. Rangez-le à l'intérieur.**
3. **Ne laissez pas les enfants l'utiliser comme jouet. Une attention particulière est nécessaire lors de l'utilisation par les enfants ou près d'eux.**
4. **Utilisez l'outil uniquement de la façon décrite dans ce manuel. Utilisez uniquement les accessoires recommandés par le fabricant.**

5. **Ne l'utilisez pas avec une batterie endommagée.** Si l'appareil ne fonctionne pas bien, s'il a été échappé, endommagé, laissé à l'extérieur ou échappé dans l'eau, retournez-le à un centre de service après-vente.
 6. **Ne manipulez pas la batterie ou l'appareil avec les mains mouillées.**
 7. **Ne mettez rien dans les ouvertures.** N'utilisez jamais l'outil si une des ouvertures est bouchée ; gardez ces dernières exemptes de poussières, charpies, cheveux ou tout objet pouvant réduire la circulation de l'air.
 8. **Gardez les cheveux, les vêtements amples, les doigts et toute autre partie du corps à l'écart des ouvertures et des pièces en mouvement.**
 9. **Mettez toutes les commandes hors tension avant de retirer la batterie.**
 10. **Soyez tout particulièrement prudent lorsque vous nettoyez sur les marches d'un escalier.**
 11. **Ne l'utilisez pas pour aspirer des liquides inflammables ou combustibles tels que l'essence, ou dans des zones où de tels liquides peuvent être présents.**
 12. **Utilisez uniquement le chargeur fourni par le fabricant pour recharger la batterie.**
 13. **N'aspirez pas d'objets qui brûlent ou dégagent de la fumée, tels que des cigarettes, des allumettes ou des cendres encore chaudes.**
 14. **Ne l'utilisez pas sans avoir mis les filtres en place.** Remplacez immédiatement tout filtre endommagé.
 15. **Ne chargez pas la batterie à l'extérieur.**
 16. **Installez toujours le flotteur avant d'effectuer toute opération de collecte de matières mouillées.**
 17. **N'utilisez pas l'aspirateur en tant que tabouret ou établi.** La machine risquerait de tomber et d'entraîner une blessure.
 18. **N'utilisez pas l'appareil pour aspirer les matières suivantes :**
 - **Liquides inflammables (kérosène, essence, solvants tels que benzine, diluant, etc.)**
 - **Substances chaudes qui brûlent ou dégagent de la fumée (cigarettes, allumettes, bâtons d'encens, chandelles, cendres chaudes), étincelles et poussières métalliques générées par la coupe ou le meulage du métal, etc.**
 - **Matières inflammables (encre en poudre, peinture, substance vaporisée, etc.)**
 - **Mousses telle qu'agent de nettoyage pour tapis, etc. (elles peuvent causer une explosion ou un incendie)**
 - **Substances explosives ou pyrophoriques (nitroglycérine, aluminium, magnésium, titane, zinc, phosphore rouge, phosphore jaune, celluloïd, etc., et leurs poussières, gaz ou vapeurs)**
 - **Objets tranchants (verre, coutellerie, éclat de bois, métal, pierre, clou, rasoir, punaise, etc.)**
 - **Poudre fine solidifiante et conductrice (poudre de métal ou de carbone)**
 - **Déshydrateur**
 - **Grande quantité de poudre (farine, poudre d'extincteur, etc.)**
 - **Substances qui causent des symptômes d'intoxication**
 - **Produits chimiques corrosifs (acide, lixiviat, etc.)**
 - **Déchets liquides ou humides, y compris vomi et excréments**
 - **Amiante**
 - **Pesticides**
- Ces applications peuvent causer un incendie, une blessure et/ou des dommages matériels.
- Pour réduire le risque d'exposition à ces produits chimiques, portez toujours des dispositifs de protection respiratoire approuvés, tels que des masques antipoussières spécialement conçus pour filtrer les particules microscopiques. Dirigez l'air évacué loin de votre visage et de votre corps.

NOTE : Lisez la réglementation OSHA sur la poussière de silice pour comprendre les exigences nécessaires pour réduire l'exposition à la poussière de silice sur le lieu de travail. Des règles spécifiques s'appliquent aux matériaux de perçage, de coupe de démolition et de meulage qui contiennent de la silice. Toutes les exigences de l'OSHA concernant la réduction de la poussière de silice sont disponibles sur le site web de l'OSHA : www.osha.gov.

Utilisation et entretien des outils alimentés par batterie

1. **Évitez les démarrages accidentels.** Assurez-vous que l'interrupteur est sur la position d'arrêt avant de connecter la batterie, de ramasser l'appareil ou de le transporter. Transporter l'appareil avec le doigt sur l'interrupteur, ou mettre l'appareil sous tension avec l'interrupteur en position de marche ouvre la porte aux accidents.
2. **Déconnectez la batterie de l'appareil avant d'effectuer tout réglage, de remplacer les accessoires ou de ranger l'appareil.** De telles mesures de prévention réduisent le risque de démarrage accidentel de l'appareil.
3. **Pour recharger, utilisez uniquement le chargeur spécifié par le fabricant.** L'utilisation d'un chargeur conçu pour un type donné de bloc-piles comporte un risque d'incendie lorsqu'il est utilisé avec un autre type de bloc-piles.
4. **Utilisez les appareils uniquement avec les batteries spécifiquement désignées.** L'utilisation de tout autre bloc-piles peut entraîner un risque de blessure et d'incendie.
5. **Lorsque vous n'utilisez pas le bloc-piles, rangez-le à l'écart des objets métalliques tels que trombones, pièces de monnaie, clés, clous, vis ou autres petits objets métalliques qui risqueraient d'établir une connexion entre les bornes.** La mise en court-circuit des bornes de batterie peut causer des brûlures ou un incendie.



6. **Dans des conditions d'utilisation inadéquates de la batterie, il peut y avoir fuite d'électrolyte; évitez tout contact avec ce liquide.** En cas de contact accidentel, rincez avec beaucoup d'eau. Si le liquide pénètre dans vos yeux, il faut aussi consulter un médecin. L'électrolyte qui s'échappe de la batterie peut causer des irritations ou des brûlures.
7. **N'utilisez pas une batterie ou un appareil endommagé ou modifié.** Les batteries endommagées ou modifiées peuvent se comporter de manière imprévisible et entraîner un incendie, une explosion ou un risque de blessure.
8. **N'exposez pas une batterie ou un appareil au feu ou à une température excessive.** L'exposition au feu ou à une température supérieure à 130 °C peut provoquer une explosion.
9. **Respectez toutes les instructions de charge, et ne chargez pas la batterie ou l'appareil hors de la plage de température spécifiée dans les instructions.** Charger de manière inadéquate ou à des températures hors de la plage spécifiée peut endommager la batterie et fait augmenter le risque d'incendie.
10. **Confiez l'entretien à un réparateur qualifié et n'utilisez que des pièces de rechange identiques aux pièces d'origine.** Cela assurera le maintien du produit dans un état sécuritaire.
11. **Ne modifiez pas ou n'essayez pas de réparer l'appareil ou la batterie autrement que tel qu'indiqué dans les instructions d'utilisation et d'entretien.**

CONSERVEZ CES INSTRUCTIONS.

Cet appareil est conçu pour un usage commercial.

Symboles

Les symboles utilisés pour l'outil sont indiqués ci-dessous.

v	volts
⋯	courant continu
	Soyez tout particulièrement prudent et attentif.
	Ne montez jamais sur l'aspirateur.

Consignes de sécurité importantes pour la batterie

1. Avant d'utiliser la batterie, lisez toutes les instructions et les mises en garde apposées sur (1) le chargeur de batterie, (2) la batterie et (3) le produit utilisant la batterie.
2. Ne démontez pas la batterie.
3. Cessez immédiatement l'utilisation si le temps de fonctionnement devient excessivement court. Il y a risque de surchauffe, de brûlures, voire d'explosion.
4. Si l'électrolyte pénètre dans vos yeux, rincez-les à l'eau claire et consultez immédiatement un médecin. Il y a risque de perte de la vue.
5. Ne court-circuitez pas la batterie :
 - (1) Ne touchez les bornes avec aucun matériau conducteur.
 - (2) Évitez de ranger la batterie dans un conteneur avec d'autres objets métalliques tels que clous, pièces de monnaie, etc.
 - (3) Évitez d'exposer la batterie à l'eau ou à la pluie.Un court-circuit de la batterie pourrait provoquer un fort courant, une surchauffe, parfois des brûlures et même une panne.
6. Ne rangez pas l'outil ou la batterie dans des emplacements où la température peut atteindre ou dépasser 50 °C (122 °F).
7. Ne jetez pas la batterie au feu même si elle est sérieusement endommagée ou complètement épuisée. La batterie peut exploser au contact du feu.
8. Prenez garde d'échapper ou de heurter la batterie.
9. N'utilisez pas une batterie si elle est endommagée.
10. Les batteries lithium-ion fournies sont soumises aux exigences de la législation sur les marchandises dangereuses. Des exigences particulières sur l'emballage et l'étiquetage doivent être respectées lors du transport commercial par des tiers, des transitaires, etc. Pour préparer la marchandise à expédier, consultez un expert en matériaux dangereux si nécessaire. Respectez aussi les éventuelles réglementations nationales plus détaillées. Recouvrez de ruban isolant les contacts exposés, et emballez la batterie de sorte qu'elle ne puisse pas se déplacer à l'intérieur de l'emballage.
11. Suivez la réglementation locale concernant l'élimination de la batterie.
12. Suivez la réglementation locale concernant l'élimination de la batterie.
13. N'utilisez les batteries qu'avec les produits spécifiés par Makita. Installer les batteries sur des produits non conformes peut entraîner un incendie, une chaleur excessive, une explosion ou une fuite d'électrolyte.
14. Suivez la réglementation locale concernant l'élimination de la batterie.

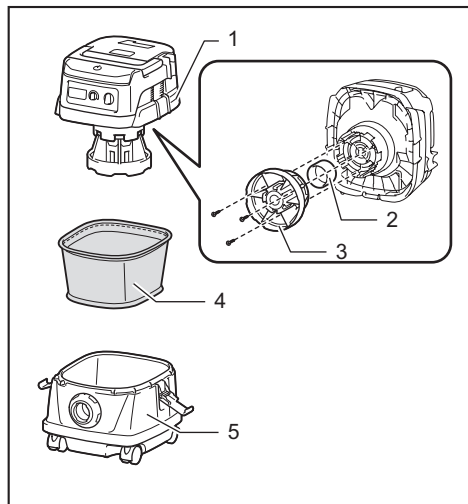
CONSERVEZ CE MODE D'EMPLOI.

⚠ ATTENTION : Utilisez exclusivement les batteries fabriquées par Makita. Les batteries autres que celles fabriquées par Makita ou les batteries modifiées peuvent exploser et causer un incendie, une blessure ou des dommages. Cela annule aussi la garantie Makita de l'outil et du chargeur Makita.

Conseils pour maintenir la durée de service maximale de la batterie

1. Rechargez la batterie avant qu'elle ne soit complètement déchargée. Arrêtez toujours l'outil et rechargez la batterie quand vous remarquez que la puissance de l'outil diminue.
2. Ne rechargez jamais une batterie complètement chargée. La surcharge réduit la durée de service de la batterie.
3. Chargez la batterie à une température ambiante comprise entre 10 °C et 40 °C (50 °F et 104 °F). Si la batterie est chaude, laissez-la refroidir avant de la charger.
4. Chargez la batterie si elle est restée inutilisée pendant une période prolongée (plus de six mois).

DESCRIPTION DES PIÈCES



- 1. Couvercle de réservoir 2. Flotteur 3. Cage de flotteur 4. Filtre en tissu 5. Réservoir

DESCRIPTION DU FONCTIONNEMENT

⚠ ATTENTION : Assurez-vous toujours que l'outil est éteint et que sa batterie est retirée avant de l'ajuster ou de vérifier son fonctionnement.

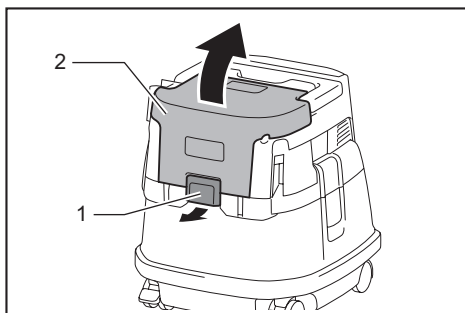
Installation ou retrait de la batterie

⚠ ATTENTION : Éteignez toujours l'outil avant d'installer ou de retirer la batterie.

⚠ ATTENTION : Tenez fermement l'aspirateur et la batterie lors de l'installation ou du retrait de cette dernière. Sinon, l'aspirateur et la batterie pourraient vous glisser des mains, ce qui risque d'endommager l'aspirateur et la batterie, ou encore de provoquer des blessures.

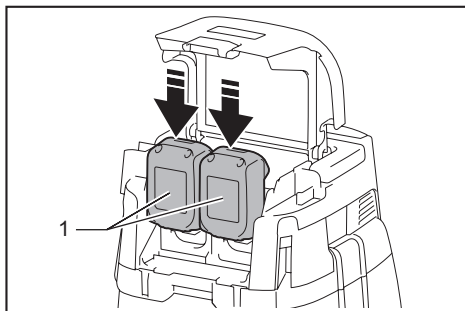
⚠ ATTENTION : Prenez garde de vous pincer les doigts en ouvrant ou fermant le couvercle de batterie. Autrement, il y a risque de blessure.

Pour installer la batterie, libérez d'abord le verrou, puis ouvrez le couvercle de batterie. Insérez ensuite la batterie.



- 1. Verrou 2. Couvercle de batterie

Alignez la languette de la batterie sur la rainure du boîtier et glissez la batterie en place. Insérez-la à fond, jusqu'à ce qu'elle se verrouille en place avec un léger bruit sec. Verrouillez ensuite le couvercle de batterie.



- 1. Batterie

Pour retirer la batterie, faites-la glisser de l'outil tout en faisant glisser le bouton qui se trouve à l'avant de la batterie.

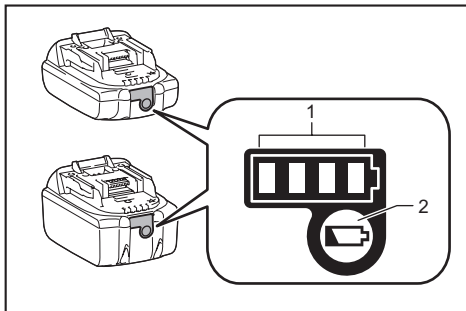
⚠ ATTENTION : Installez toujours la batterie à fond, jusqu'à ce que l'indicateur rouge ne soit plus visible. Autrement elle risque de tomber accidentellement de l'aspirateur, ce qui comporte un risque de blessure pour vous-même et pour les personnes présentes.

⚠ ATTENTION : Ne forcez pas sur la batterie pour l'installer. Si la batterie ne glisse pas facilement, c'est qu'elle n'est pas insérée correctement.

NOTE : L'aspirateur ne fonctionne pas lorsqu'il n'y a qu'une seule batterie.

Affichage de la charge restante de la batterie

Uniquement pour les batteries avec voyant



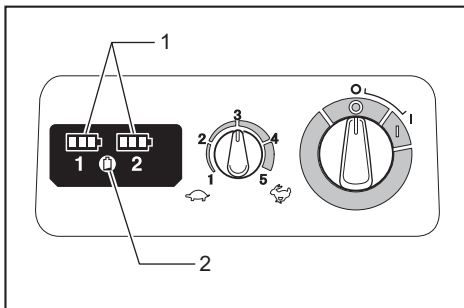
► 1. Témoins indicateurs 2. Bouton de vérification

Appuyez sur le bouton de vérification de la batterie pour afficher la charge restante de la batterie. Les témoins indicateurs s'allument pendant quelques secondes.

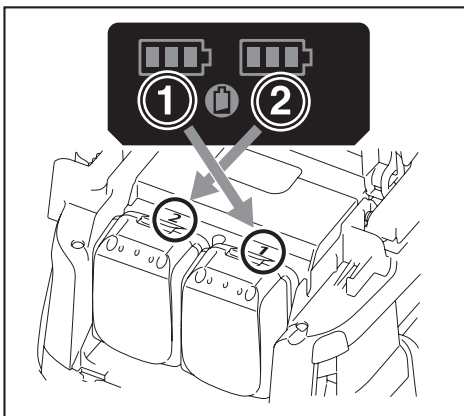
Témoins indicateurs			Charge restante
Allumé	Éteint	Clignotant	
■	□	◐	75 % à 100 %
■	■	□	50 % à 75 %
■	■	□	25 % à 50 %
■	□	□	0 % à 25 %
◐	□	□	Chargez la batterie.
■	■	□	La batterie a peut-être mal fonctionné.
□	□	■	

NOTE : Suivant les conditions d'utilisation et la température ambiante, il se peut que l'indication soit légèrement différente de la charge réelle.

Indication de la charge restante de la batterie



► 1. Voyant de batterie 2. Bouton de vérification



Appuyez sur le bouton de vérification pour afficher la charge restante des batteries. Les voyants de batterie correspondent à chacune des batteries.

État du voyant de batterie			Capacité restante de la batterie
Allumé	Éteint	Clignotant	
■	□	◐	50 % à 100 %
■	■	□	20 % à 50 %
■	□	□	0 % à 20 %
◐	□	□	Charger la batterie

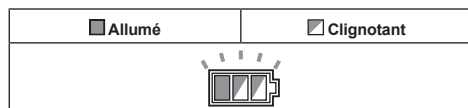
Dispositif de protection de l'outil et de la batterie

L'outil est équipé d'un système de protection d'outil/batterie. Ce système coupe automatiquement l'alimentation du moteur pour augmenter la durée de vie de l'outil et de la batterie. L'outil s'arrête automatiquement pendant l'utilisation lorsque l'outil ou la batterie est dans l'une des situations suivantes :

Protection contre la surcharge

Lorsque l'outil est utilisé d'une manière entraînant une consommation anormale de courant, il s'arrête automatiquement sans aucune indication. Dans ce cas, éteignez l'outil et arrêtez l'activité qui entraîne une surcharge de l'outil. Remettez ensuite le contact pour redémarrer.

Protection contre la surchauffe

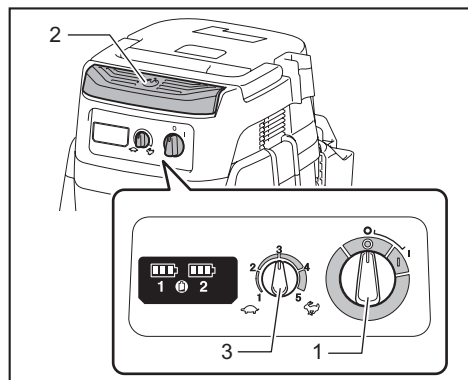


Lorsque l'outil surchauffe, il s'arrête automatiquement et le voyant de batterie clignote pendant environ 60 secondes. Dans ce cas, laissez refroidir l'outil avant de remettre le contact.

Protection contre la décharge excessive

Lorsque la charge de la batterie est basse, l'outil s'arrête automatiquement. Si l'appareil ne fonctionne pas même lorsque vous activez les interrupteurs, retirez les batteries de l'outil et rechargez-les.

Interrupteur





- 1. Interrupteur de mise sous tension 2. Bouton d'alimentation 3. Bouton de réglage de la force de succion

Pour démarrer l'aspirateur :

1. Mettez l'interrupteur de mise sous tension du côté « I ». L'aspirateur se met sous tension.
2. Appuyez sur le bouton d'alimentation. Pour mettre l'aspirateur en mode sous tension, appuyez de nouveau sur le bouton d'alimentation. Pour éteindre l'aspirateur, mettez l'interrupteur de mise sous tension du côté « O ».

La puissance de succion peut être ajustée selon les exigences du travail à effectuer.

La puissance de succion peut être augmentée en tournant le bouton de réglage de la force de succion du symbole  au symbole .

AVIS : Lorsque vous prévoyez une longue période de non-utilisation de l'aspirateur, mettez toujours l'interrupteur de mise sous tension du côté « O ». L'aspirateur consomme de l'électricité lorsqu'il est sous tension.

Arrêt automatique de la succion pendant la succion de matières mouillées

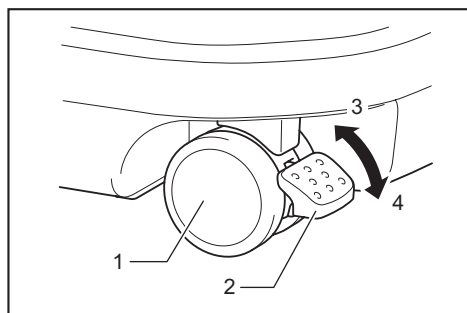
⚠ MISE EN GARDE : Ne l'utilisez pas de manière prolongée pendant que le flotteur travaille. Utiliser l'aspirateur de manière prolongée pendant que son flotteur travaille peut causer une surchauffe qui entraînera la déformation de l'aspirateur.

⚠ MISE EN GARDE : Ne collectez pas la mousse ou le liquide savonneux. La collecte de mousse ou de liquide savonneux peut faire sortir de la mousse par la sortie d'air avant que le flotteur ne travaille. Poursuivre l'utilisation dans ces conditions peut causer une décharge électrique et une panne de l'aspirateur.

L'arrêt automatique de la succion ne fonctionne que lors de l'utilisation du flotteur et de la cage de flotteur.

L'aspirateur est doté d'un mécanisme de flottement qui prévient la pénétration de l'eau dans le moteur lorsque plus d'une certaine quantité d'eau est collectée. Lorsque le réservoir est plein et que l'aspirateur ne collecte plus l'eau, éteignez l'aspirateur et videz le réservoir.

Verrouillage ou déverrouillage de la roulette



- 1. Roulette 2. Levier de frein 3. Position LIBRE 4. Position VERROUILLÉE

Le verrouillage de la roulette est pratique lors du rangement de l'aspirateur, de l'interruption du travail en cours et de l'immobilisation de l'aspirateur.

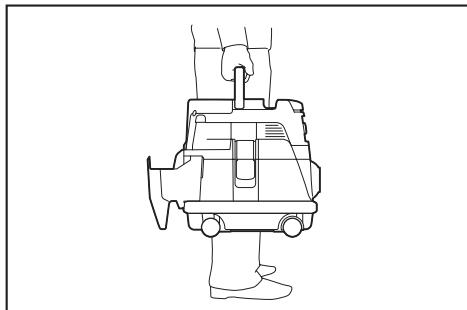
Pour utiliser le frein, déplacez-le manuellement.

Pour verrouiller la roulette à l'aide du frein, abaissez le levier de frein de sorte que la roulette ne tourne plus. Pour libérer la roulette de la position verrouillée, relevez le levier de frein.

NOTE : Lorsque vous déplacez l'aspirateur, assurez-vous que la roulette est déverrouillée. Déplacer l'aspirateur avec la roulette en position verrouillée peut endommager la roulette.

Poignée de transport

Lorsque vous transportez l'aspirateur, saisissez-le par la poignée du dessus. La poignée peut être escamotée sur le dessus lorsqu'elle n'est pas utilisée.



ASSEMBLAGE

ATTENTION : Assurez-vous toujours que l'outil est éteint et que sa batterie est retirée avant d'effectuer tout travail dessus.

ATTENTION : Portez toujours un masque antipoussières pendant l'assemblage ou l'entretien.

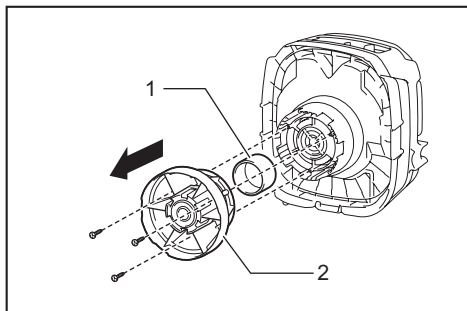
Pose du filtre pour poudres (HEPA) et du préfiltre (pour poussières sèches)

Accessoire en option

ATTENTION : N'aspirez jamais d'eau ou autres liquides ou de poussières mouillées lors de l'utilisation du filtre pour poudres. L'aspiration de telles choses peut endommager le filtre pour poudres.

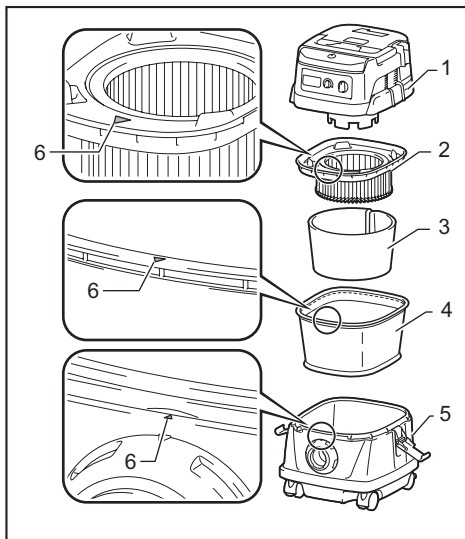
Pour utiliser le filtre pour poudres :

1. Retirez la cage de flotteur et le flotteur en retirant les boulons.



- 1. Flotteur 2. Cage de flotteur

2. Mettez le préfiltre dans le réservoir en alignant les marques de position de montage.
3. Montez l'amortisseur sur le filtre pour poudres puis mettez-les dans le préfiltre en alignant les marques de position de montage.
4. Montez le couvercle de réservoir et verrouillez-le.



- 1. Couvercle de réservoir 2. Filtre pour poudres (HEPA) 3. Amortisseur 4. Préfiltre 5. Réservoir 6. Marque de position de montage

AVIS : Avant d'utiliser le filtre pour poudres, assurez-vous que le préfiltre et l'amortisseur sont toujours utilisés ensemble. Il n'est pas permis d'installer seulement le filtre pour poudres.

Pose du filtre à eau

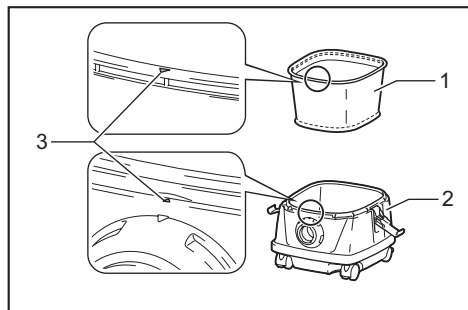
Accessoire en option

AVIS : Ne collectez jamais d'eau ou de poussières mouillées sans le flotteur et le filtre en tissu ou le filtre à eau.

AVIS : Pour collecter les poussières mouillées, assurez-vous que la cage de flotteur et le flotteur sont installés sur l'aspirateur.

AVIS : Lorsque vous installez le filtre à eau sur le réservoir, serrez-le bien à l'ouverture du réservoir de sorte que le crochet du filtre à eau s'engage fermement dans l'ouverture du réservoir et qu'il n'y ait pas d'espace libre entre le filtre à eau et le réservoir.

Pour collecter uniquement de l'eau ou des poussières mouillées, le filtre à eau est plus adéquat que le filtre en tissu. Lorsque vous installez le filtre à eau, alignez sa marque de position de montage sur celle du réservoir.



► 1. Filtre à eau 2. Réservoir 3. Marque de position de montage

NOTE : Il est recommandé d'utiliser le filtre à eau pour collecter de grandes quantités d'eau de manière répétée. Autrement, la capacité d'aspiration peut être réduite dans le cas du filtre en tissu.

Pose du sac papier

Accessoire en option

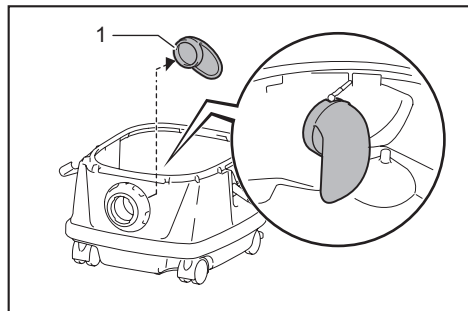
⚠ MISE EN GARDE : Avant d'utiliser le sac papier, assurez-vous de l'utiliser avec le filtre en tissu ou le préfiltre. Ne pas utiliser également le filtre en tissu / préfiltre peut causer un bruit inhabituel et de la chaleur, entraînant un incendie.

AVIS : Ne collectez jamais de l'eau ou autres liquides ou des poussières mouillées lors de l'utilisation du sac papier. La collecte de telles choses peut endommager le sac papier.

AVIS : Lorsque vous utilisez le filtre en tissu, assurez-vous que le flotteur et la cage de flotteur sont fixés au couvercle de réservoir.

AVIS : Lorsque vous utilisez le préfiltre, assurez-vous de l'utiliser avec le filtre pour poudres et l'amortisseur.

1. Retirez le support en caoutchouc.

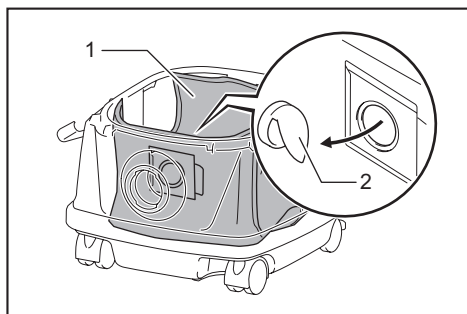


► 1. Support en caoutchouc

2. Déployez le sac papier.

3. Alignez l'ouverture du sac papier sur l'ouverture de succion des poussières de l'aspirateur.

4. Insérez le carton du sac papier dans le support de sorte qu'il soit placé à l'extrémité au-delà de la saillie de détente.

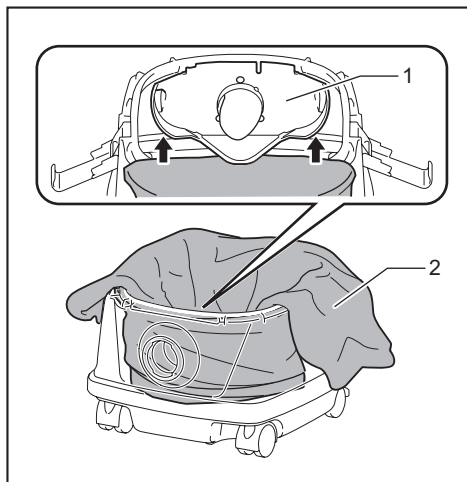


► 1. Sac papier 2. Support

Pose du sac en polyéthylène

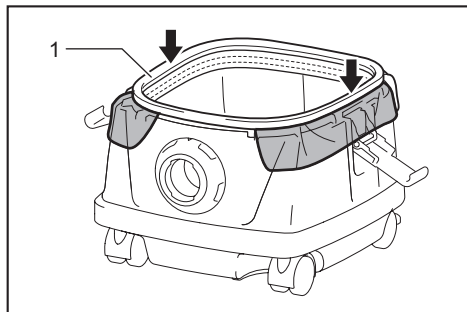
L'aspirateur peut également être utilisé sans sac en polyéthylène. Cependant, en utilisant le sac en polyéthylène il est plus facile de vider le réservoir sans se salir les mains.

Étendez le sac en polyéthylène dans le réservoir. Insérez-le entre la plaque de support et le réservoir, et tirez-le jusqu'à l'entrée de tuyau.



► 1. Plaque de support 2. Sac en polyéthylène

Étendez le sac autour du dessus du réservoir, de sorte que le bord du filtre en tissu / préfiltre puisse attraper et retenir le sac fermement.



► 1. Filtre en tissu / préfiltre

NOTE : Il est possible d'utiliser un sac en polyéthylène disponible dans le commerce. Une épaisseur de 0,04 mm ou plus est recommandée.

NOTE : Comme le sac se déchirera facilement s'il y a trop de poussières, ne collectez pas de poussières plus qu'à la moitié de la capacité du sac.

Vidage du sac en polyéthylène

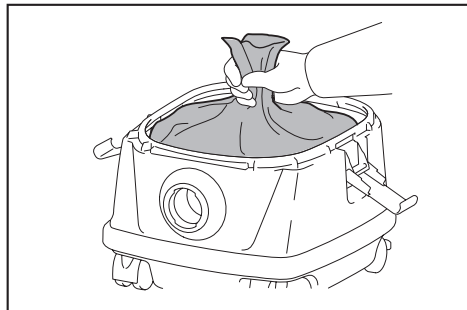
⚠ MISE EN GARDE : Avant de vider le sac en polyéthylène, assurez-vous toujours que l'aspirateur est éteint et que la batterie est retirée. Autrement, il y a un risque de décharge électrique et de blessure grave.

⚠ ATTENTION : Évitez de heurter violemment la cage de flotteur et le réservoir. Heurter violemment les pièces peut les déformer et les endommager.

⚠ ATTENTION : Videz le réservoir au moins une fois par jour, bien que cela dépende du volume de matières collectées dans le réservoir. Autrement, la force de succion faiblira et le moteur risque de tomber en panne.

⚠ ATTENTION : Ne saisissez pas le crochet lorsque vous videz le réservoir. Le crochet risque de casser s'il est saisi.

Décrochez et soulevez le couvercle de réservoir. Secouez les poussières du filtre en tissu / préfiltre, puis sortez le sac en polyéthylène du réservoir.

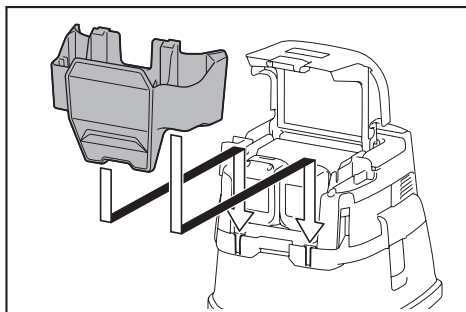


NOTE : Retirez soigneusement le sac en polyéthylène du réservoir, de sorte que le sac en polyéthylène ne puisse être attrapé et déchiré par la saillie à l'intérieur du réservoir pendant que vous le videz.

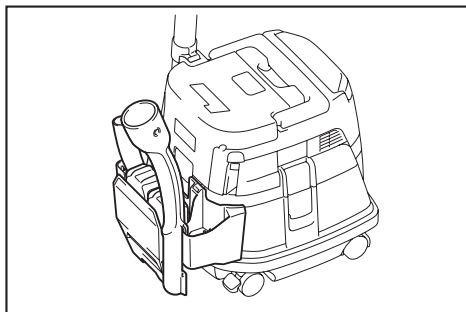
NOTE : Videz le sac en polyéthylène avant qu'il ne soit plein. Le sac en polyéthylène risque d'être déchiré s'il y a trop de poussières dans le réservoir.

Pose de la boîte à outils

1. Libérez le verrou du couvercle de batterie, et ouvrez le couvercle de batterie.
2. Mettez les rails de la boîte à outils le long des rainures du boîtier.
3. Fermez le couvercle de batterie et engagez le verrou.



La boîte à outils est pratique pour transporter des batteries, un tube ou des manchons.

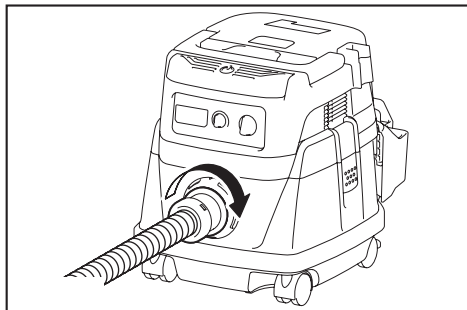


Raccordement du tuyau

AVIS : Ne forcez jamais le tuyau pour le plier, et ne le piétinez jamais. Ne déplacez jamais l'aspirateur en le saisissant par le tuyau. Forcer, piétiner ou tirer sur le tuyau peut le casser ou l'endommager.

AVIS : Lorsque vous collectez des copeaux de rabotage, poussières de béton ou autres gros déchets, utilisez le tuyau à diamètre intérieur de 38 mm (accessoire en option). L'utilisation du tuyau à diamètre intérieur de 28 mm (accessoire en option) peut causer le bourrage et l'endommagement du tuyau.

Insérez le tuyau dans le port de montage du réservoir et tournez-le dans le sens des aiguilles d'une montre jusqu'à ce qu'il se verrouille.

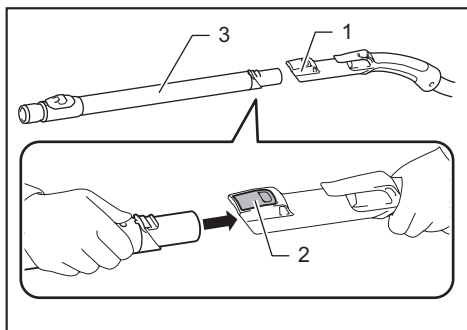


Raccordement de l'accessoire avec fonction de verrouillage

Accessoire en option

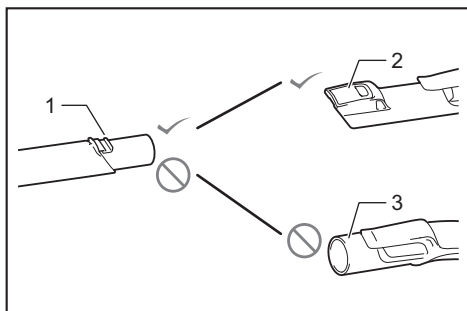
Insérez l'accessoire dans l'entrée d'aspiration jusqu'à ce qu'il émette un léger bruit sec.

Pour le retirer, tirez sur l'accessoire tout en appuyant sur le bouton de libération.



- 1. Entrée d'aspiration avec fonction de verrouillage 2. Bouton de libération 3. Accessoire avec fonction de verrouillage

NOTE : L'accessoire avec fonction de verrouillage est disponible lors de l'utilisation de l'entrée d'aspiration avec fonction de verrouillage.

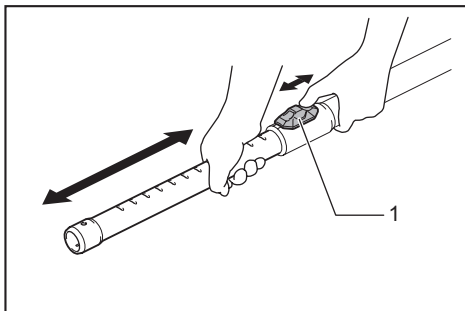


- 1. Accessoire avec fonction de verrouillage
2. Entrée d'aspiration avec fonction de verrouillage
3. Entrée d'aspiration sans fonction de verrouillage

Réglage de la longueur du tube de rallonge coulissant

Accessoire en option

En appuyant sur le bouton coulissant, ajustez la longueur de la rallonge. La longueur se verrouille lors de la libération du bouton coulissant.



- 1. Bouton coulissant

ENTRETIEN

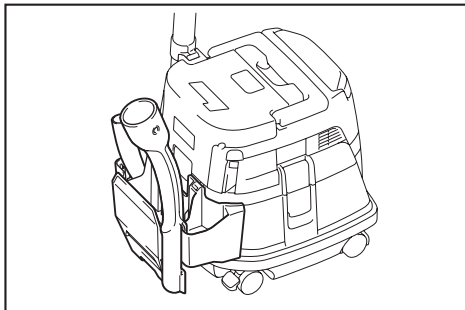
ATTENTION : Assurez-vous toujours que l'outil est hors tension et que la batterie est retirée avant d'y effectuer tout travail d'inspection ou d'entretien.

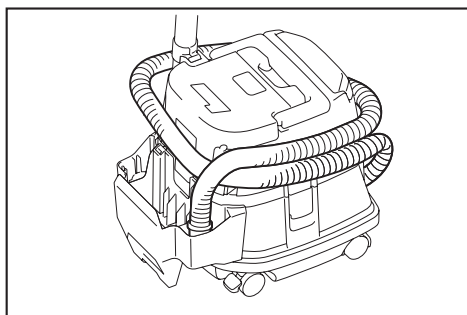
AVIS : N'utilisez jamais d'essence, de benzine, de solvant, d'alcool ou autres produits similaires. Une décoloration, une déformation ou la formation de fissures peuvent en découler.

Pour maintenir la SÉCURITÉ et la FIABILITÉ du produit, les réparations et tout autre travail d'entretien ou de réglage doivent être effectués dans un centre de service après-vente autorisé ou une usine Makita, exclusivement avec des pièces de rechange Makita.

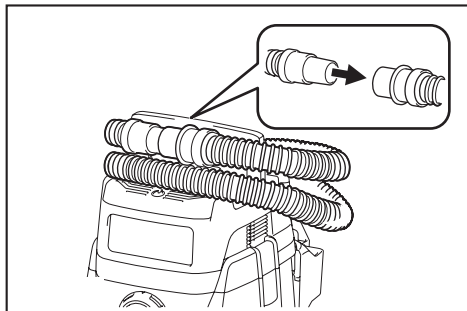
Rangement des accessoires

Les tubes peuvent être mis dans le porte-tube lorsque l'aspirateur doit rester inutilisé pour une courte période.





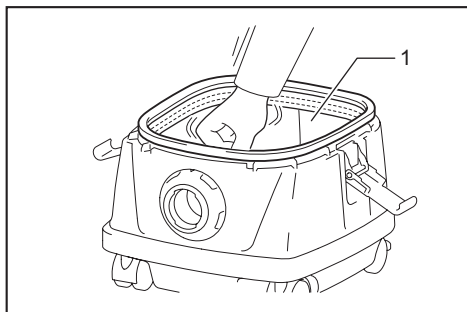
Le tuyau peut être rangé autour de l'outil en connectant chacune des extrémités.



Nettoyage du filtre en tissu

Un filtre en tissu bouché causera une succion médiocre. Nettoyez le filtre en tissu de temps à autre.

Pour enlever les poussières ou particules collées au filtre en tissu, secouez rapidement le bas du cadre plusieurs fois.



► 1. Filtre en tissu

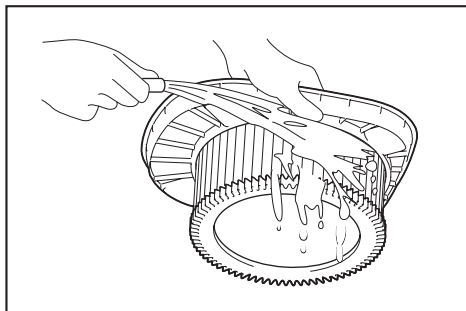
Nettoyage du filtre pour poudres (HEPA) et du préfiltre

Accessoire en option

Un filtre pour poudres, préfiltre ou amortisseur bouché peut causer une succion médiocre. Nettoyez les filtres et l'amortisseur de temps à autre.

Pour enlever les poussières ou particules collées aux filtres, secouez rapidement le bas du cadre plusieurs fois.

Lavez occasionnellement le filtre pour poudres dans l'eau, puis rincez-le et laissez-le sécher complètement, à l'ombre, avant de l'utiliser. Ne lavez jamais les filtres dans une machine à laver.



NOTE : Évitez de frotter ou rayer le filtre pour poudres, le préfiltre ou l'amortisseur avec des objets durs tels que brosses et palettes.

NOTE : Les filtres s'usent avec le temps. Il est recommandé d'en avoir quelques-uns de rechange.

ACCESSOIRES EN OPTION

⚠ ATTENTION : Ces accessoires ou pièces complémentaires sont recommandés pour l'utilisation avec l'outil Makita spécifié dans ce manuel. L'utilisation de tout autre accessoire ou pièce complémentaire peut comporter un risque de blessure. N'utilisez les accessoires ou pièces complémentaires qu'aux fins auxquelles ils ont été conçus.

Si vous désirez obtenir plus de détails sur ces accessoires, veuillez contacter le centre de service après-vente Makita le plus près.

- Tuyau
- Manchon avant (22, 24, 38)
- Tuyau rectiligne
- Rallonge
- Buse à angle
- Brosse ronde
- Filtre pour poudres, HEPA (pour les poussières sèches)
- Amortisseur
- Préfiltre
- Ensemble-buse
- Tuyau coudé
- Sac en polyéthylène
- Sac papier
- Jeu de support
- Filtre à eau
- Chargeur et batterie authentiques Makita

NOTE : Certains éléments de la liste peuvent être inclus avec l'outil comme accessoires standards. Ils peuvent varier suivant les pays.

GARANTIE LIMITÉE MAKITA

Pour les conditions de garantie en vigueur qui s'appliquent à ce produit, veuillez vous reporter à la feuille de garantie en annexe. Si la feuille de garantie en annexe n'est pas disponible, reportez-vous aux détails de la garantie présentés sur le site Web de votre pays, ci-dessous.

États-Unis d'Amérique: www.makitatools.com

Canada: www.makita.ca

Autres pays: www.makita.com

ESPECIFICACIONES

Modelo:	DVC865L	DVC155L
Tipo de filtro estándar	Filtro de tela (para polvo seco y húmedo)	
Volumen de aire máximo (con BL1850B, manguera de $\Phi 32$ mm (1-1/4") x 1,7 m (67"))	2,1 m ³ /min (74,15 cu.ft./min)	
Aspiradora (con BL1850B, manguera de $\Phi 32$ mm (1-1/4") x 1,7 m (67"))	11 kPa	
Capacidad recuperable	Polvo	8 L (2,1 gal)
	Agua	6 L (1,6 gal)
Dimensiones (La x An x Al)	366 mm x 334 mm x 368 mm (14-3/8" x 13-1/8" x 14-1/2")	366 mm x 334 mm x 421 mm (14-3/8" x 13-1/8" x 16-1/2")
	36 V c.c.	
Tensión nominal	36 V c.c.	
Peso neto	7,0 kg - 7,7 kg (15,4 lbs - 17,0 lbs)	7,2 kg - 7,9 kg (15,9 lbs - 17,4 lbs)

- Debido a nuestro continuo programa de investigación y desarrollo, las especificaciones aquí incluidas están sujetas a cambio sin previo aviso.
- Las especificaciones y el cartucho de batería pueden variar de país a país.
- El peso incluye el o los cartuchos de batería, pero no los accesorios. La combinación de menor y mayor peso del aparato y del o los cartuchos de batería se muestra en la tabla.
- Para polvo húmedo, se requieren el flotador y el filtro de agua o de tela.

Cartucho de batería y cargador aplicables

Cartucho de batería	BL1815N / BL1820B / BL1830 / BL1830B / BL1840B / BL1850B / BL1860B
Cargador	DC18RC / DC18RD / DC18RE / DC18SD / DC18SE / DC18SF / DC18SH

- Algunos de los cartuchos de batería y cargadores enumerados arriba podrían no estar disponibles dependiendo de su área de residencia.

⚠ ADVERTENCIA: Use únicamente los cartuchos de batería y los cargadores indicados arriba. El uso de cualquier otro cartucho de batería y cargador podría ocasionar una lesión y/o un incendio.

ADVERTENCIAS DE SEGURIDAD

INSTRUCCIONES IMPORTANTES DE SEGURIDAD

Al usar cualquier aparato eléctrico, siempre deben seguirse las precauciones básicas, incluyendo las siguientes:

GUARDE ESTAS INSTRUCCIONES.

ADVERTENCIA

Para reducir el riesgo de incendio, descarga eléctrica o lesión:

1. No deje el aparato con la batería puesta. Retire la batería del aparato cuando no lo vaya a utilizar y antes de dar servicio de mantenimiento.
2. No lo exponga a la lluvia. Almacénelo en interiores.
3. No permita que sea utilizado como un juguete. Preste mucha atención cuando sea utilizado por niños o cerca de ellos.
4. Utilícelo solamente como se describe en este manual. Sólo use aditamentos recomendados por el fabricante.

5. No lo utilice con una batería dañada. Si el aparato no está funcionando como debiera, se ha dejado caer, se ha dañado, se ha dejado a la intemperie o ha caído sobre agua, llévelo a un centro de servicio.
 6. No manipule la batería ni el aparato con las manos mojadas.
 7. No introduzca ningún objeto en las aberturas. No lo utilice con ninguna abertura bloqueada; manténgalo libre de polvo, pelusa, cabello y cualquier objeto que pueda reducir el flujo de aire.
 8. Mantenga el cabello, la ropa holgada, los dedos y todas las partes del cuerpo lejos de las aberturas y piezas móviles.
 9. Apague todos los controles antes de retirar el cartucho de batería.
 10. Tenga especial cuidado cuando limpie en escaleras.
 11. No lo utilice para recoger líquidos inflamables o combustibles, tal como gasolina, ni en áreas donde puedan estar presentes.
 12. Utilice solamente el cargador suministrado por el fabricante para recargar.
 13. No recoja nada que se esté quemando o desprenda humo, tal como cigarrillos, fósforos o cenizas calientes.
 14. No lo utilice sin los filtros colocados en su lugar. Reemplace cualquier filtro dañado de inmediato.
 15. No cargue la batería en exteriores.
 16. Instale siempre el flotador antes de cualquier operación para aspirar objetos húmedos.
 17. No utilice la aspiradora como banco o mesa de trabajo. La máquina podría caerse y ocasionar una lesión personal.
 18. No aspire los siguientes elementos:
 - Líquidos inflamables (queroseno, gasolina, disolventes como bencina, diluyentes, etc.)
 - Sustancias calientes que están ardiendo o echando humo (cigarrillos, cerillas, palitos de incienso, velas, cenizas calientes), chispas y polvo metálico generados por el corte o el lijado de metales, etc.
- Materiales inflamables (tóner, pinturas, aerosoles, etc.)
 - Espumas, como limpiadores de alfombras, etc. (pueden causar explosiones o incendios)
 - Sustancias explosivas o pirofóricas (nitroglicerina, aluminio, magnesio, titanio, zinc, fósforo rojo, fósforo amarillo, celuloide, etc., y su polvo, gases o vapores)
 - Objetos afilados (cristal, cubiertos, astillas de madera, metales, piedras, clavos, cuchillas, tachuelas, etc.)
 - Polvo fino conductor y solidificante (polvo metálico o de carbono)
 - Deshumidificador
 - Grandes cantidades de polvo (harina, polvo de extintor de incendios, etc.)
 - Sustancias que causan síntomas tóxicos
 - Productos químicos agresivos (ácidos, lixiviados, etc.)
 - Basura líquida o húmeda, incluyendo vómitos y heces
 - Asbesto
 - Pesticidas
- Tal acción podría ocasionar un incendio, lesiones y/o daños materiales. Para reducir la exposición a estas sustancias químicas, utilice un equipo de protección respiratoria aprobado, tal como las máscaras contra polvo que están especialmente diseñadas para filtrar partículas microscópicas. No apunte la salida de aire a la cara y al cuerpo. NOTA: Lea el reglamento OSHA en lo referente a polvo de sílice a fin de entender los requisitos necesarios para reducir la exposición al polvo de sílice en el puesto de trabajo. Contiene normas específicas sobre el taladrado, la demolición, el corte y el lijado de materiales que contienen sílice. Todos los requisitos de la OSHA relacionados con la reducción de polvo de sílice se pueden encontrar en el sitio web de la OSHA: www.osha.gov.

19. **Este aparato no se destina para utilizarse por personas (incluyendo niños) cuyas capacidades físicas, sensoriales o mentales sean diferentes o estén reducidas o carezcan de experiencia o de conocimiento, a menos que dichas personas reciban una supervisión o capacitación para el funcionamiento del aparato por una persona responsable de su seguridad.**
20. **Los niños deben supervisarse para asegurar que ellos no empleen los aparatos como juguete.**

Uso y cuidado de la herramienta a batería



1. **Evite un arranque accidental. Asegúrese de que el interruptor esté en la posición apagada antes de conectar el paquete de baterías, levantar el aparato o cargarlo.** Cargar el aparato con su dedo en el interruptor o pasar energía al aparato con el interruptor encendido puede propiciar accidentes.
2. **Desconecte el paquete de baterías del aparato antes de hacer cualquier ajuste, cambiar accesorios o almacenar el aparato.** Estas medidas de seguridad preventivas reducen el riesgo de poner en marcha el aparato accidentalmente.
3. **Recargue sólo con el cargador especificado por el fabricante.** Un cargador que es adecuado para un solo tipo de batería puede generar riesgo de incendio al ser utilizado con otra batería.
4. **Use los aparatos únicamente con los paquetes de baterías designados específicamente para ellos.** El uso de otros paquetes de baterías puede generar riesgo de lesiones e incendio.
5. **Cuando no se esté usando la batería, manténgala alejada de otros objetos metálicos, como sujetapapeles (clips), monedas, llaves, clavos, tornillos u otros objetos pequeños de metal los cuales pueden actuar creando una conexión entre las terminales de la batería.** Originar un cortocircuito en las terminales puede causar quemaduras o incendios.
6. **En condiciones abusivas, podrá escapar líquido de la batería; evite tocarlo. Si lo toca accidentalmente, enjuague con agua. Si hay contacto del líquido con los ojos, busque asistencia médica.** Puede que el líquido expulsado de la batería cause irritación o quemaduras.
7. **No utilice un paquete de baterías o aparato que esté dañado o haya sido modificado.** Las baterías dañadas o modificadas podrían comportarse de manera impredecible causando un incendio, explosión o riesgo de lesión.
8. **No exponga un paquete de baterías o aparato al fuego o a una temperatura excesiva.** La exposición al fuego o una temperatura superior a 130 °C podría causar una explosión.
9. **Siga todas las instrucciones relativas a la carga y no cargue el paquete de baterías o el aparato fuera del rango de temperatura especificado en las instrucciones.** Cargar de manera inapropiada o a temperaturas fuera del rango especificado podría dañar la batería e incrementar el riesgo de incendio.
10. **Pida que el servicio lo realice un técnico en reparaciones calificado y que utilice únicamente piezas de repuesto idénticas a las originales.** Esto garantizará que se mantenga la seguridad del producto.
11. **No modifique ni intente reparar el aparato ni el paquete de baterías salvo como se indique en las instrucciones para el uso y cuidado.**

GUARDE ESTAS INSTRUCCIONES.

Este aparato está diseñado para uso comercial.

Símbolos

A continuación se muestran los símbolos utilizados para la herramienta.

v	volts o voltios
⋯	corriente directa o continua
	Ponga especial atención y tenga cuidado.
	Nunca se pare sobre la aspiradora.

Instrucciones importantes de seguridad para el cartucho de batería

1. Antes de utilizar el cartucho de batería, lea todas las instrucciones e indicaciones de precaución en el (1) el cargador de batería, (2) la batería, y (3) el producto con el que se utiliza la batería.
2. No desarme el cartucho de batería.
3. Si el tiempo de operación se ha acortado en exceso, deje de operar de inmediato. Podría correrse el riesgo de sobrecalentamiento, posibles quemaduras e incluso explosión.
4. En caso de que ingresen electrolitos en sus ojos, enjuáguelos bien con agua limpia y consulte de inmediato a un médico. Esto podría ocasionar pérdida de visión.
5. Evite cortocircuitar el cartucho de batería:
 - (1) No toque las terminales con ningún material conductor.
 - (2) Evite guardar el cartucho de batería en un cajón junto con otros objetos metálicos, tales como clavos, monedas, etc.
 - (3) No exponga el cartucho de batería al agua o la lluvia.

Un cortocircuito en la batería puede causar un flujo grande de corriente, sobrecalentamiento, posibles quemaduras e incluso una descompostura.

6. No guarde la herramienta ni el cartucho de batería en lugares donde la temperatura pueda alcanzar o exceder los 50°C (122°F).
7. Nunca incinere el cartucho de batería incluso en el caso de que esté dañado seriamente o ya no sirva en absoluto. El cartucho de batería puede explotar si se tira al fuego.
8. Tenga cuidado de no dejar caer ni golpear la batería.
9. No use una batería dañada.
10. Las baterías de ión de litio están sujetas a los requisitos reglamentarios en materia de bienes peligrosos. Para el transporte comercial, por ej., mediante terceros o agentes de transporte, se deben tomar en cuenta los requisitos especiales relativos al empaque y el etiquetado. Para efectuar los preparativos del artículo que se va a enviar, se requiere consultar a un experto en materiales peligrosos. Si es posible, consulte además otras regulaciones nacionales más detalladas. Pegue o cubra con cinta adhesiva los contactos abiertos y empaque la batería de manera que ésta no pueda moverse dentro del paquete.
11. Siga las regulaciones locales relacionadas al desecho de las baterías.
12. Siga las regulaciones locales relacionadas al desecho de las baterías.
13. Utilice las baterías únicamente con los productos especificados por Makita. Instalar las baterías en productos que no cumplen con los requisitos podría ocasionar un incendio, un calentamiento excesivo, una explosión o una fuga de electrolito.
14. Siga las regulaciones locales relacionadas al desecho de las baterías.

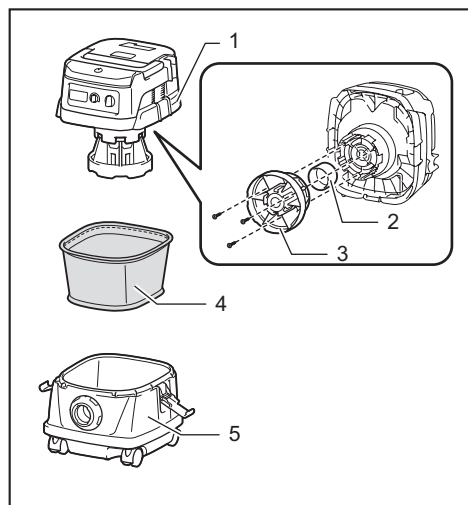
GUARDE ESTAS INSTRUCCIONES.

⚠PRECAUCIÓN: Utilice únicamente baterías originales de Makita. El uso de baterías no originales de Makita, o de baterías alteradas, puede ocasionar que las baterías exploten causando un incendio, lesiones personales y daños. Asimismo, esto invalidará la garantía de Makita para la herramienta y el cargador Makita.

Consejos para alargar al máximo la vida útil de la batería

1. Cargue el cartucho de batería antes de que se descargue completamente. Pare siempre la operación y cargue el cartucho de batería cuando note menos potencia en la herramienta.
2. No cargue nunca un cartucho de batería que esté completamente cargado. La sobrecarga acortará la vida de servicio de la batería.
3. Cargue el cartucho de batería a una temperatura ambiente de 10 °C - 40 °C (50 °F - 104 °F). Si un cartucho de batería está caliente, déjelo enfriar antes de cargarlo.
4. Cargue el cartucho de batería si no va a utilizarlo durante un período prolongado (más de seis meses).

DESCRIPCIÓN DE LAS PIEZAS



- 1. Cubierta del tanque 2. Flotador 3. Caja del flotador 4. Filtro de tela 5. Tanque

DESCRIPCIÓN DEL FUNCIONAMIENTO

⚠PRECAUCIÓN: Asegúrese siempre de que la herramienta esté apagada y el cartucho de batería haya sido extraído antes de realizar cualquier ajuste o comprobación en la herramienta.

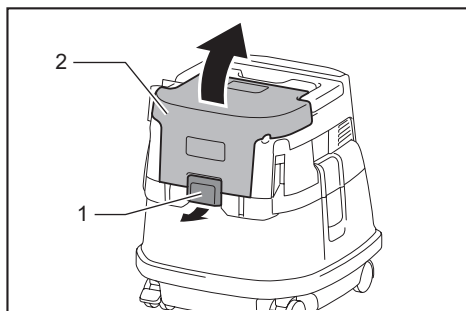
Instalación o extracción del cartucho de batería

⚠PRECAUCIÓN: Apague siempre la herramienta antes de colocar o quitar el cartucho de batería.

⚠PRECAUCIÓN: Sujete la aspiradora y el cartucho de batería con firmeza al colocar o quitar el cartucho. Si no se sujeta con firmeza la aspiradora y el cartucho de batería, puede ocasionar que se resbalen de sus manos resultando en daños a la aspiradora y al cartucho, así como lesiones a la persona.

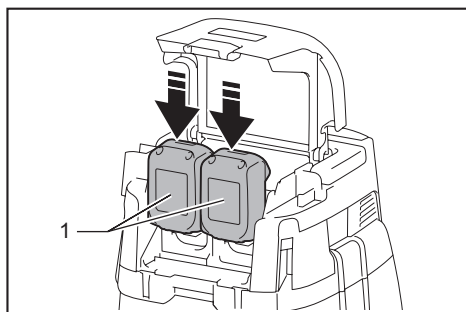
⚠PRECAUCIÓN: Tenga cuidado de no pellizcar sus dedos al abrir o cerrar la cubierta de la batería. El no hacerlo podría causar lesiones personales.

Para instalar el cartucho de batería, libere el seguro primero y luego abra la cubierta de la batería. Después de esto, inserte el cartucho de batería.



- 1. Seguro 2. Cubierta de la batería

Alinee la lengüeta en el cartucho de batería con la ranura en la carcasa y deslícelo en su lugar. Insértelo por completo hasta que quede asegurado en su lugar haciendo un pequeño clic. Luego cierre con el seguro la cubierta de la batería.



- 1. Cartucho de batería

Para quitar el cartucho de batería, sáquelo de la herramienta mientras desliza el botón enfrente del cartucho.

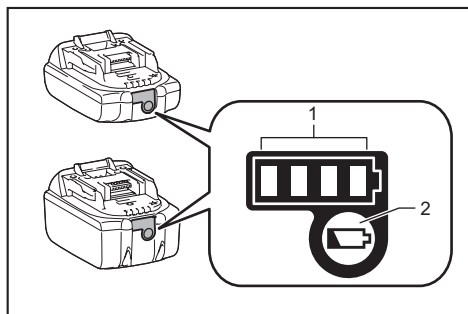
⚠️ PRECAUCIÓN: Siempre introduzca completamente el cartucho de batería hasta que el indicador rojo no pueda verse. De lo contrario, podría salirse accidentalmente de la aspiradora y ocasionarle lesiones a usted o a alguien a su alrededor.

⚠️ PRECAUCIÓN: No instale el cartucho de batería a la fuerza. Si el cartucho no se desliza al interior fácilmente, se debe a que no está siendo insertado correctamente.

NOTA: La aspiradora no funciona con un sólo cartucho de batería.

Indicación de la capacidad restante de la batería

Únicamente para cartuchos de batería con el indicador



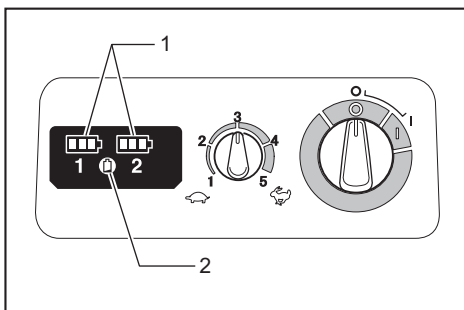
► 1. Luces indicadoras 2. Botón de verificación

Oprima el botón de verificación en el cartucho de la batería para que indique la capacidad restante de la batería. Las luces indicadoras se iluminarán por algunos segundos.

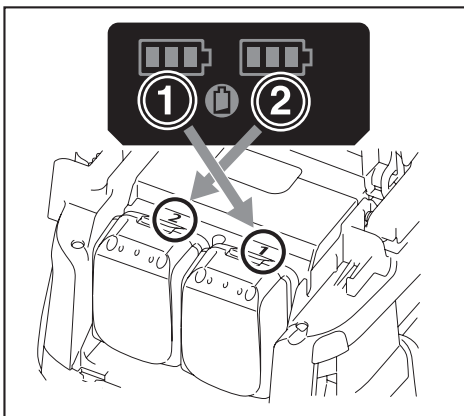
Luces indicadoras			Capacidad restante
Iluminadas	Apagadas	Parpadeando	
■ ■ ■ ■	□ □ □ □	▬	75% a 100%
■ ■ ■ □	□ □ □ □	▬	50% a 75%
■ ■ □ □	□ □ □ □	▬	25% a 50%
■ □ □ □	□ □ □ □	▬	0% a 25%
▬ □ □ □	□ □ □ □	▬	Cargar la batería.
■ ■ □ □	□ □ □ □	▬	La batería pudo haber funcionado mal.
□ □ □ □	■ ■ ■ ■	▬	

NOTA: Dependiendo de las condiciones de uso y la temperatura ambiente, la indicación podrá diferir ligeramente de la capacidad real.

Indicación de capacidad restante de la batería



► 1. Indicador de batería 2. Botón de verificación



Oprima el botón de verificación para indicar las capacidades restantes de la batería. Los indicadores de batería corresponden a cada batería.

Estado del indicador de batería			Capacidad restante de la batería
Encendido	Apagado	Parpadeando	
■	□	▬	50% a 100%
■ ■ ■ ■	□ □ □ □	▬	20% a 50%
■ □ □ □	□ □ □ □	▬	0% a 20%
▬ □ □ □	□ □ □ □	▬	Cargar la batería
■ ■ □ □	□ □ □ □	▬	Cargar la batería

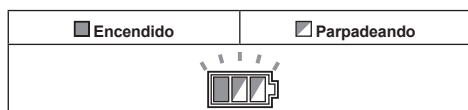
Sistema de protección para la herramienta/batería

La herramienta está equipada con un sistema de protección de la herramienta/batería. Este sistema corta en forma automática el suministro de energía al motor para prolongar la vida útil de la herramienta y la batería. La herramienta se detendrá automáticamente durante la operación si la herramienta o la batería se someten a una de las siguientes condiciones:

Protección contra sobrecarga

Cuando la herramienta se está utilizando de manera que causa que consuma una cantidad de corriente inusualmente alta, la herramienta se detiene automáticamente sin que haya indicación alguna. En este caso, apague la herramienta y detenga la aplicación que causó que la herramienta se sobrecargara. Luego encienda la herramienta para reiniciarla.

Protección contra sobrecalentamiento

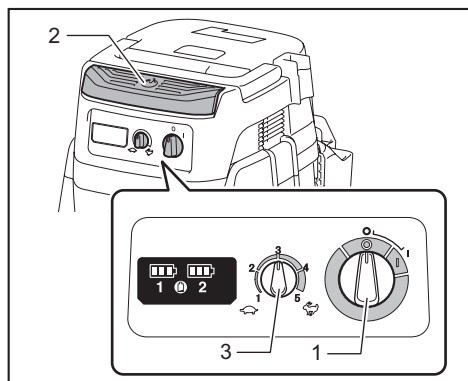


Cuando la herramienta se sobrecalienta, ésta se detiene automáticamente y el indicador de batería parpadea alrededor de 60 segundos. En este caso, espere a que la herramienta se enfríe antes de volver a encenderla.

Protección contra sobredescarga

Cuando la capacidad de la batería se reduce, la herramienta se detiene automáticamente. Si el producto no funciona incluso cuando los interruptores están siendo operados, retire las baterías de la herramienta y cárguelas.

Accionamiento del interruptor



- 1. Interruptor de modo en espera 2. Botón de encendido/apagado 3. Perilla de ajuste de la fuerza de succión

Para arrancar la aspiradora:

1. Ajuste el interruptor de modo en espera en el lado "I". La aspiradora se pondrá en el estado de modo en espera.
2. Oprima el botón de encendido/apagado.

Para poner la aspiradora en el modo en espera, oprima nuevamente el botón de encendido/apagado.

Para apagar la aspiradora, ajuste el interruptor de modo en espera en el lado "O".

La potencia de succión se puede ajustar según sus necesidades de trabajo.

La potencia de succión se puede incrementar girando la perilla de ajuste de la fuerza de succión del símbolo al símbolo .

AVISO: Ajuste siempre el interruptor de modo en espera en el lado "O" cuando no vaya a utilizar la aspiradora durante un tiempo prolongado. La aspiradora consumirá energía durante el estado de modo en espera.

Parada de succión automática durante la operación para aspirar objetos húmedos

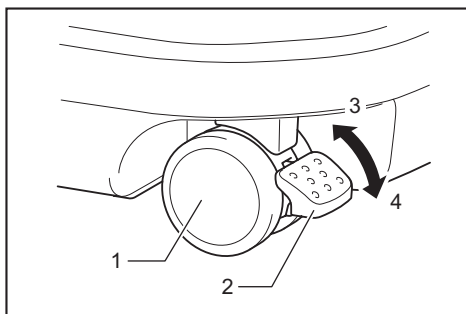
ADVERTENCIA: No utilice el aparato durante un tiempo prolongado mientras el flotador esté funcionando. El usar la aspiradora con su flotador funcionando durante un tiempo prolongado podría causar un sobrecalentamiento y la deformación de la aspiradora.

ADVERTENCIA: No aspire espuma ni jabón líquido. El aspirar espuma o jabón líquido podría causar que saliera espuma por la salida de aire antes de que el flotador comience a funcionar. Continuar usando el aparato en estas condiciones podría ocasionar una descarga eléctrica y la avería de la aspiradora.

La parada de succión automática sólo funciona cuando se usa con el flotador y la caja del flotador.

La aspiradora cuenta con un mecanismo de flotación que evita que se introduzca agua al motor cuando se aspira más de cierta cantidad de agua. Cuando el tanque se llena, la aspiradora deja de aspirar agua; apague la aspiradora y vacíe el tanque.

Bloqueo o desbloqueo de la rueda



- 1. Rueda 2. Palanca del tope 3. Posición LIBERADA 4. Posición BLOQUEADA

Es conveniente bloquear la rueda para almacenar la aspiradora, detener el trabajo momentáneamente y mantener la aspiradora inmóvil.

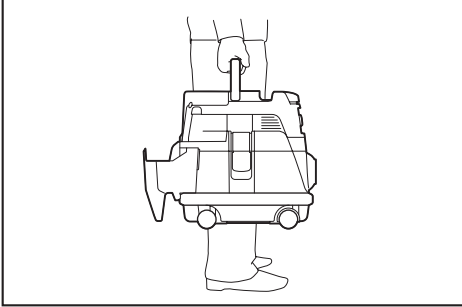
Para usar el tope, muévelo manualmente.

Para bloquear la rueda con el tope, baje la palanca del tope y la rueda ya no podrá girar. Para liberar la rueda de la posición bloqueada, levante la palanca del tope.

NOTA: Cuando mueva la aspiradora, asegúrese de que la rueda esté desbloqueada. El mover la aspiradora con la rueda en la posición bloqueada podría causar daños a la rueda.

Mango de transporte

Cuando transporte la aspiradora, sosténgala del mango ubicado en la cabeza. El mango en la cabeza es retráctil para guardarse cuando no se utilice.



MONTAJE

⚠️ PRECAUCIÓN: Asegúrese siempre de que la herramienta esté apagada y el cartucho de batería haya sido extraído antes de realizar cualquier trabajo en la misma.

⚠️ PRECAUCIÓN: Utilice siempre una máscara contra el polvo durante el ensamblado o mantenimiento.

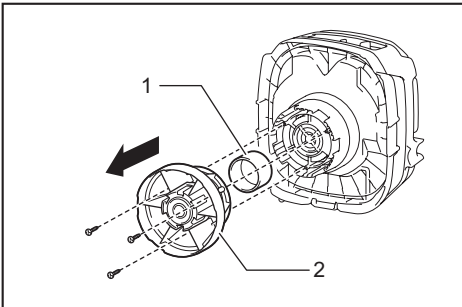
Instalación del filtro de polvo (HEPA) y el prefiltro (para polvo seco)

Accesorio opcional

⚠️ PRECAUCIÓN: Nunca aspire agua ni otros líquidos o polvo húmedo cuando utilice el filtro de polvo. El aspirar este tipo de objetos podría causar la avería del filtro de polvo.

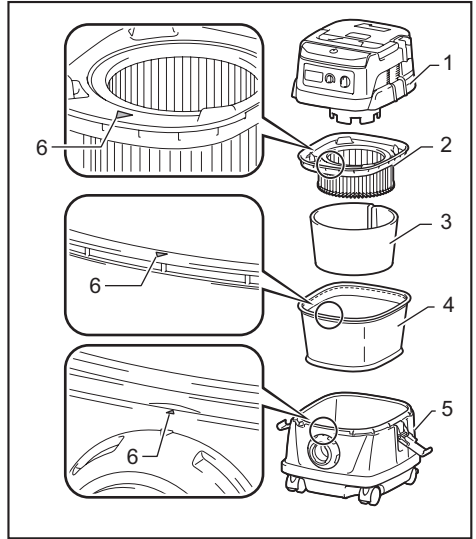
Para usar el filtro de polvo:

1. Extraiga la caja del flotador y el flotador retirando los pernos.



- 1. Flotador 2. Caja del flotador

2. Coloque el prefiltro en el tanque alineando las marcas de posición de montaje.
3. Instale el amortiguador en el filtro de polvo y luego colóquelos en el prefiltro alineando las marcas de posición de montaje.
4. Instale la cubierta del tanque y asegúrela.



- 1. Cubierta del tanque 2. Filtro de polvo (HEPA) 3. Amortiguador 4. Prefiltro 5. Tanque 6. Marca de posición de montaje

AVISO: Antes de usar el filtro de polvo, asegúrese de que el prefiltro y el amortiguador siempre se utilicen juntos. El filtro de polvo no debe ser instalado solo.

Instalación del filtro de agua

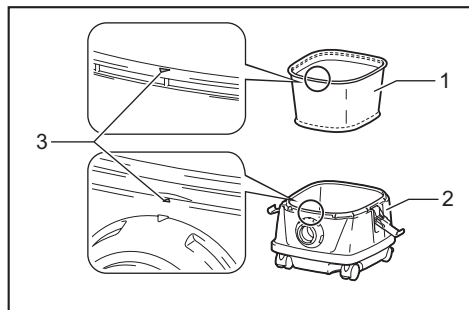
Accesorio opcional

AVISO: Nunca aspire agua ni polvo húmedo sin el flotador y el filtro de tela o el filtro de agua.

AVISO: Para aspirar polvo húmedo, asegúrese de que la caja del flotador y el flotador estén instalados en la aspiradora.

AVISO: Cuando instale el filtro de agua en el tanque, fíjelo bien en la abertura del tanque de manera que el gancho del filtro de agua quede ensartado firmemente en la abertura del tanque y no quede espacio entre el filtro de agua y el tanque.

Para aspirar solamente agua o polvo húmedo, es más conveniente usar el filtro de agua que el filtro de tela. Cuando instale el filtro de agua, alinee su marca de posición de montaje con la del tanque.



► 1. Filtro de agua 2. Tanque 3. Marca de posición de montaje

NOTA: Se recomienda usar el filtro de agua cuando vaya a aspirar una gran cantidad de agua de manera repetida. De lo contrario, la capacidad de la aspiradora podría verse reducida si usa el filtro de tela.

Instalación de la bolsa de papel para polvo

Accesorio opcional

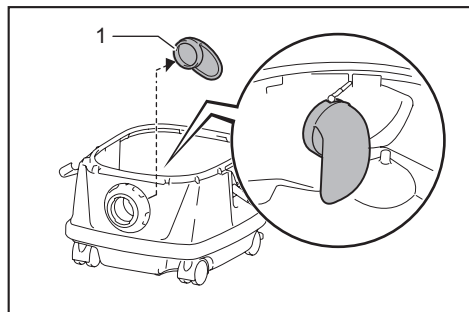
⚠ADVERTENCIA: Antes de usar la bolsa de papel para polvo, asegúrese de que el filtro de tela o el prefiltro se utilicen juntos. El no utilizar junto con ésta el filtro de tela/prefiltro podría ocasionar un ruido y calentamiento anormales provocando un incendio.

AVISO: Nunca aspire agua ni otros líquidos o polvo húmedo cuando utilice la bolsa de papel para polvo. El aspirar este tipo de objetos podría causar la avería de la bolsa de papel para polvo.

AVISO: Cuando utiliza el filtro de tela, asegúrese de que el flotador y la caja del flotador estén instalados en la cubierta del tanque.

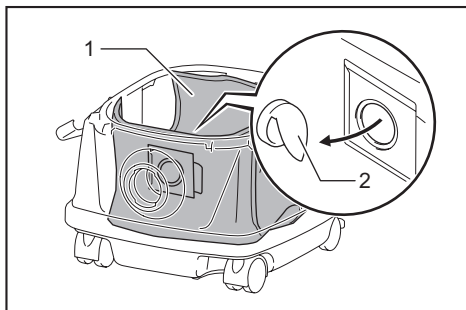
AVISO: Cuando utilice el prefiltro, asegúrese de que el filtro de polvo y el amortiguador se utilicen juntos.

1. Retire el sujetador de goma.



► 1. Sujetador de goma

2. Extienda la bolsa de papel para polvo.
3. Alinee la abertura de la bolsa de papel para polvo con la abertura de succión de polvo de la aspiradora.
4. Inserte el cartón de la bolsa de papel para polvo en el sujetador de manera que quede colocado en el extremo más allá de la protuberancia del tope.

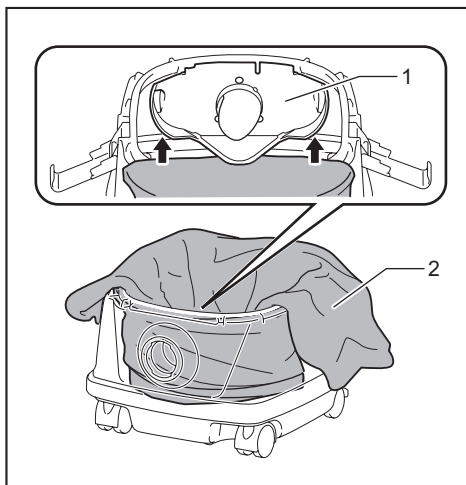


► 1. Bolsa de papel para polvo 2. Sujetador

Instalación de la bolsa de polietileno

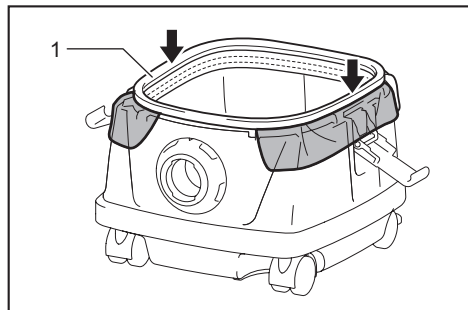
La aspiradora también se puede utilizar sin la bolsa de polietileno. Sin embargo, con el uso de la bolsa de polietileno resulta más fácil vaciar el tanque sin ensuciarse las manos.

Extienda la bolsa de polietileno en el tanque. Insértela entre la placa del sujetador y el tanque, y júlela hacia la entrada para la manguera.



► 1. Placa del sujetador 2. Bolsa de polietileno

Extienda la bolsa alrededor de la parte superior del tanque de manera que el borde del filtro de tela/prefiltro pueda agarrar y sujetar la bolsa firmemente.



► 1. Filtro de tela/prefiltro

NOTA: Se puede utilizar cualquier bolsa de polietileno disponible en el mercado. Se recomienda el uso de una con un grosor de 0,04 mm o más.

NOTA: Si se recolecta demasiado polvo la bolsa podría romperse fácilmente, por lo que debe evitar recolectar más de la mitad de la capacidad de la bolsa.

Vaciado de la bolsa de polietileno

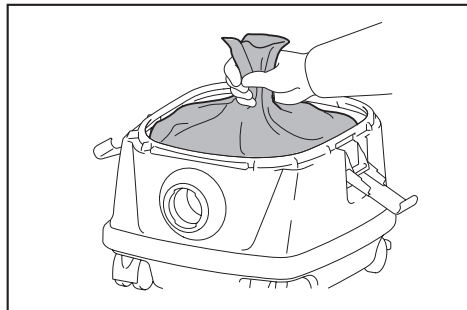
⚠ADVERTENCIA: Asegúrese siempre de que la aspiradora esté apagada y que el cartucho de batería haya sido extraído antes de vaciar la bolsa de polietileno. El no hacerlo podría ocasionar una descarga eléctrica y lesiones personales graves.

⚠PRECAUCIÓN: Evite los impactos fuertes sobre la caja del flotador y el tanque. Un impacto fuerte podría deformar y dañar las piezas.

⚠PRECAUCIÓN: Vacíe el tanque por lo menos una vez al día, aunque esto dependerá del volumen de polvo aspirado en el tanque. De lo contrario, la fuerza de succión se vería reducida y el motor podría averiarse.

⚠PRECAUCIÓN: Evite agarrar el gancho mientras vacía el tanque. El agarrar el gancho podría ocasionar que éste se rompa.

Desenganche y levante la cubierta del tanque. Sacuda el polvo del filtro de tela/prefiltro y luego retire la bolsa de polietileno del tanque.

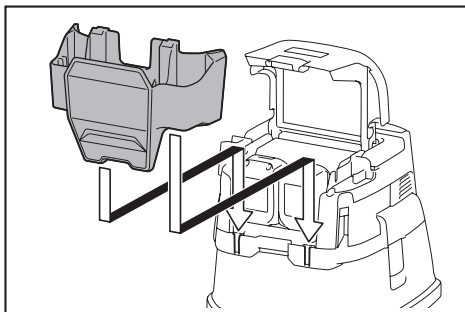


NOTA: Retire con cuidado la bolsa de polietileno del tanque de manera que ésta no pueda quedar enganchada y romperse por la protuberancia en el interior del tanque al vaciarla.

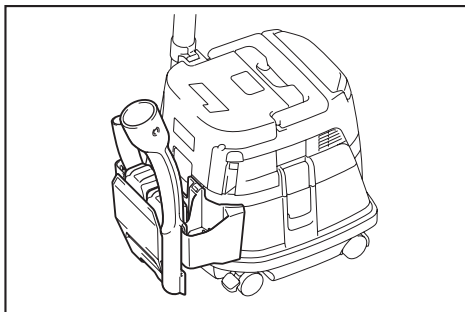
NOTA: Vacíe la bolsa de polietileno antes de que se llene. Demasiado polvo en el tanque podría causar que la bolsa de polietileno se rompa.

Instalación de la caja de herramientas

1. Libere el seguro de la cubierta de la batería y ábrala.
2. Coloque los rieles en la caja de herramientas a lo largo de las ranuras en la carcasa.
3. Cierre la cubierta de la batería y ponga el seguro.



La caja de herramientas resulta conveniente para guardar baterías, tubos o bocas.

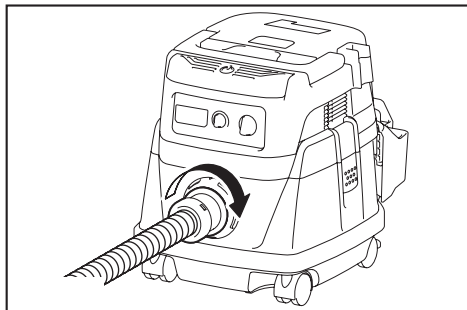


Conexión de la manguera

AVISO: Nunca fuerce la manguera para doblarla o aplastarla. Nunca mueva la aspiradora tomándola de la manguera. El forzar, aplastar y jalar la manguera podría ocasionar que ésta se averíe o se deforme.

AVISO: Cuando aspire residuos grandes tales como los generados al tallar con cepillo, polvo de concreto o similares que no sean residuos pequeños, utilice la manguera con diámetro interior de 38 mm (accesorio opcional). El usar la manguera con diámetro interior de 28 mm (accesorio opcional) podría causar obstrucciones y daños a la manguera.

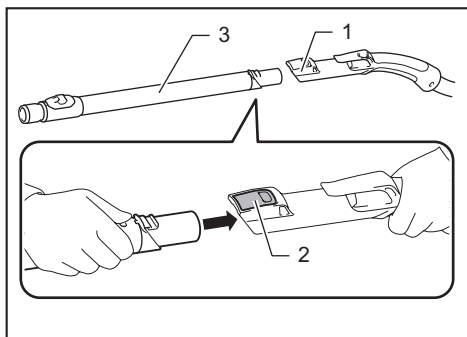
Inserte la manguera en el puerto de montaje del tanque y gírela en el sentido de las manecillas del reloj hasta que quede asegurada.



Conexión del aditamento con la función de bloqueo

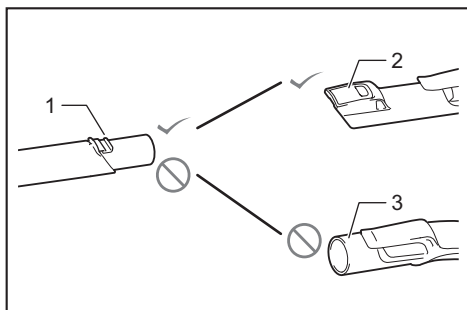
Accesorio opcional

Inserte el aditamento en la entrada de succión hasta que escuche un clic. Para extraerlo, jale el aditamento oprimiendo simultáneamente el botón de liberación.



- 1. Entrada de succión con la función de bloqueo 2. Botón de liberación 3. Aditamento con la función de bloqueo

NOTA: El aditamento con la función de bloqueo está disponible cuando se utiliza la entrada de succión con la función de bloqueo.

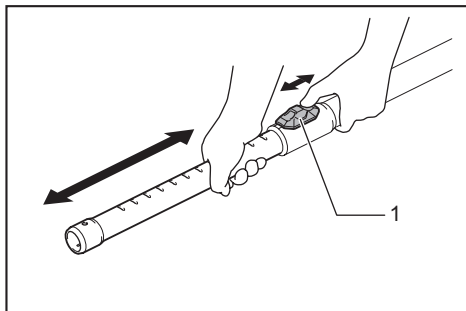


- 1. Aditamento con la función de bloqueo 2. Entrada de succión con la función de bloqueo 3. Entrada de succión sin la función de bloqueo

Ajuste de la longitud del tubo de extensión de tipo corredera

Accesorio opcional

Ajuste la longitud del tubo mientras presiona el botón deslizable. La longitud se bloquea cuando se suelta el botón deslizable.



- 1. Botón deslizable

MANTENIMIENTO

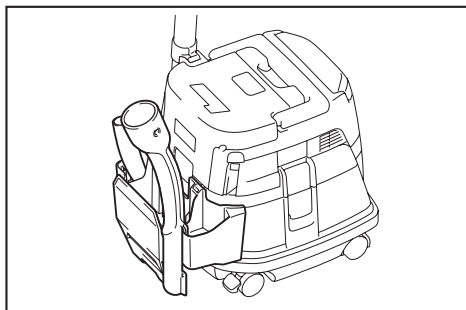
PRECAUCIÓN: Asegúrese siempre de que la herramienta esté apagada y el cartucho de batería extraído antes de intentar realizar una inspección o mantenimiento.

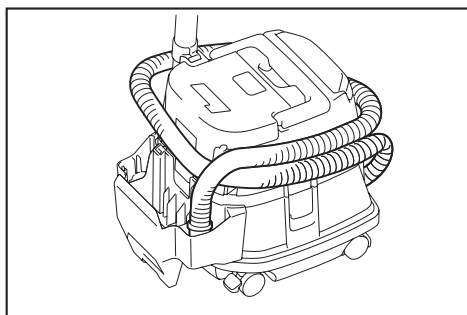
AVISO: Nunca use gasolina, bencina, diluyente (tíner), alcohol o sustancias similares. Puede que esto ocasione grietas o decoloramiento.

Para mantener la SEGURIDAD y FIABILIDAD del producto, las reparaciones, y cualquier otra tarea de mantenimiento o ajuste deberán ser realizadas en centros de servicio autorizados o de fábrica Makita, empleando siempre repuestos Makita.

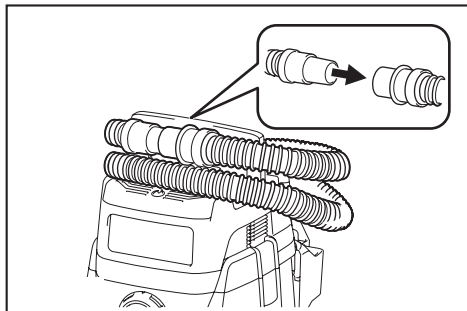
Almacenamiento de los accesorios

Los tubos se pueden colocar en el portatubos cuando no vaya a utilizar la aspiradora por poco tiempo.





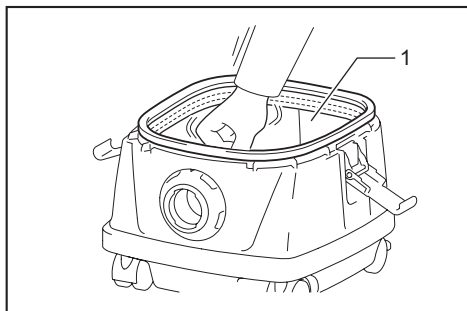
La manguera se puede guardar alrededor de la herramienta conectando los extremos.



Limpieza del filtro de tela

La obstrucción del filtro de tela causa que el desempeño de la succión sea deficiente. Limpie el filtro de tela ocasionalmente.

Para eliminar el polvo o las partículas adheridos al filtro de tela, sacuda con rapidez varias veces la parte inferior del marco.



► 1. Filtro de tela

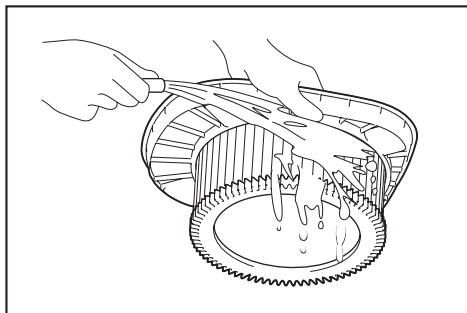
Limpieza del filtro de polvo (HEPA) y el prefiltro

Accesorio opcional

La obstrucción del filtro de polvo, el prefiltro y el amortiguador causa que el desempeño de la succión sea deficiente. Limpie los filtros y amortiguadores ocasionalmente.

Para eliminar el polvo o las partículas adheridos a los filtros, sacuda con rapidez varias veces la parte inferior del marco.

De vez en cuando lave el filtro de polvo con agua, enjuáguelo y séquelo bien a la sombra antes de usarlo. Nunca lave los filtros en la lavadora.



NOTA: No frote ni raye el filtro de polvo, el prefiltro o el amortiguador con objetos duros tales como un cepillo y una pala.

NOTA: Los filtros se desgastan con el tiempo. Se recomienda contar con piezas de repuesto.

ACCESORIOS OPCIONALES

⚠PRECAUCIÓN: Estos accesorios o aditamentos están recomendados para utilizarse con su herramienta Makita especificada en este manual. El empleo de cualquier otro accesorio o aditamento puede conllevar el riesgo de lesiones personales. Utilice los accesorios o aditamentos solamente para su fin establecido.

Si necesita cualquier ayuda para más detalles en relación con estos accesorios, pregunte a su centro de servicio local Makita.

- Manguera
- Boca delantera (22, 24, 38)
- Tubo recto
- Tubo de extensión
- Boquilla para esquinas
- Cepillo redondo
- Filtro de polvo, HEPA (para polvo seco)
- Amortiguador
- Prefiltro
- Conjunto de boquillas
- Tubo curvo
- Bolsa de polietileno
- Bolsa de papel para polvo
- Juego de sujetadores
- Filtro de agua
- Batería y cargador originales de Makita

NOTA: Algunos de los artículos en la lista pueden incluirse en el paquete de la herramienta como accesorios estándar. Éstos pueden variar de país a país.

GARANTÍA LIMITADA DE MAKITA

Ésta Garantía no aplica para México

Consulte la hoja de la garantía anexa para ver los términos más vigentes de la garantía aplicable a este producto. En caso de no disponer de esta hoja de garantía anexa, consulte los detalles sobre la garantía descritos en el sitio web de su país respectivo indicado a continuación.

Estados Unidos de América: www.makitatools.com

Canadá: www.makita.ca

Otros países: www.makita.com

< USA only >

WARNING

Some dust created by power sanding, sawing, grinding, drilling, and other construction activities contains chemicals known to the State of California to cause cancer, birth defects or other reproductive harm. Some examples of these chemicals are:

- lead from lead-based paints,
- crystalline silica from bricks and cement and other masonry products, and
- arsenic and chromium from chemically-treated lumber.

Your risk from these exposures varies, depending on how often you do this type of work. To reduce your exposure to these chemicals: work in a well ventilated area, and work with approved safety equipment, such as those dust masks that are specially designed to filter out microscopic particles.

< Sólo en los Estados Unidos >

ADVERTENCIA

Algunos polvos creados por el lijado, aserrado, esmerilado, taladrado y otras actividades de la construcción contienen sustancias químicas reconocidas por el Estado de California como causantes de cáncer, defectos de nacimiento y otros peligros de reproducción. Algunos ejemplos de estos productos químicos son:

- plomo de pinturas a base de plomo,
- sílice cristalino de ladrillos y cemento y otros productos de albañilería, y
- arsénico y cromo de maderas tratadas químicamente.

El riesgo al que se expone varía, dependiendo de la frecuencia con la que realice este tipo de trabajo. Para reducir la exposición a estos productos químicos: trabaje en un área bien ventilada y póngase el equipo de seguridad indicado, tal como las máscaras contra polvo que están especialmente diseñadas para filtrar partículas microscópicas.

Makita Corporation

3-11-8, Sumiyoshi-cho,
Anjo, Aichi 446-8502 Japan

www.makita.com

885779-937
DVC865L-1
EN, FRCA, ESMX
20191220